

NEMA 12 FLUSH MOUNT ENCLOSURES

Type 4 & 12
Enclosures

Austin flush NEMA 12 enclosures are Underwriters Laboratories Listed and are designed to house electrical controls, terminals, and instruments. They provide a degree of protection against circulating dust, falling dirt, and noncorrosive liquids.

Construction:

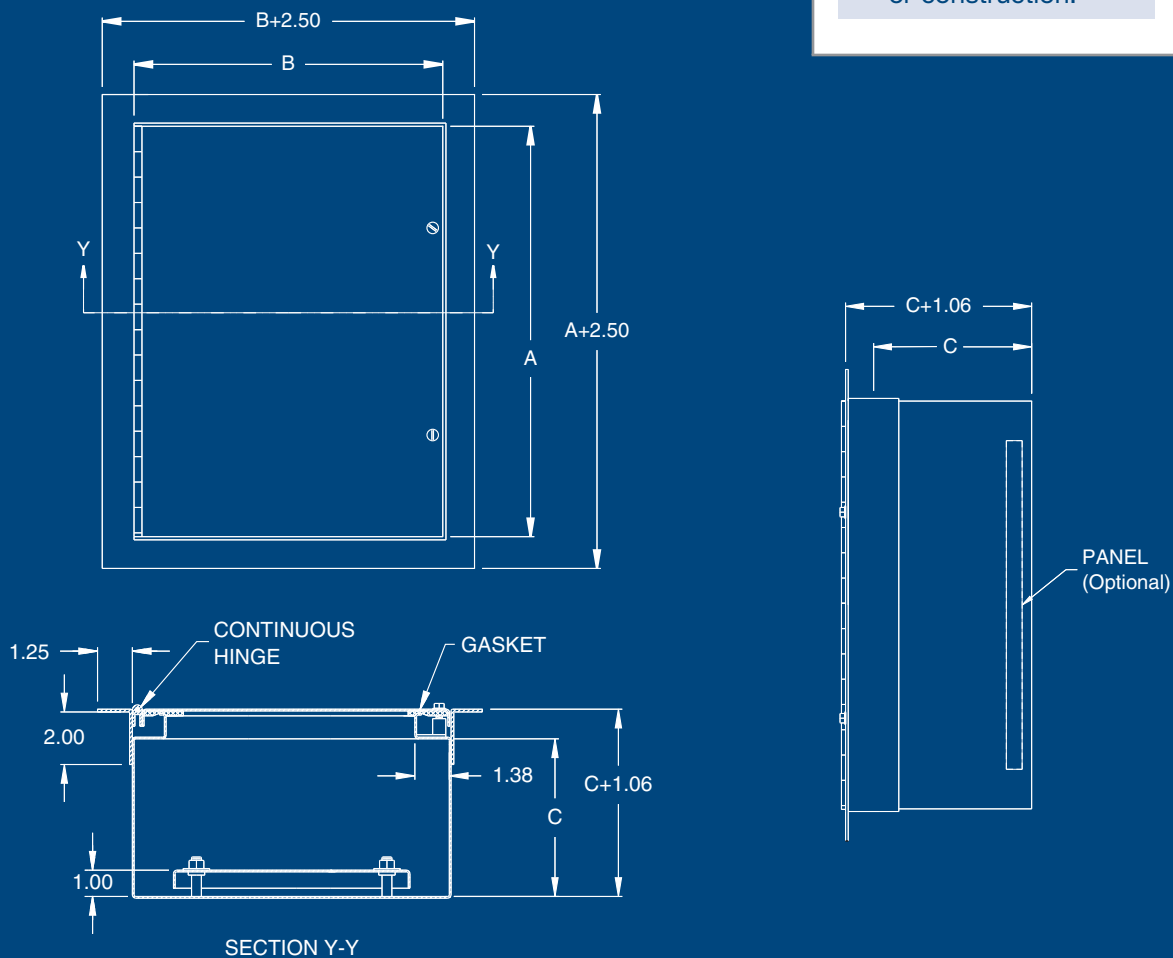
- Fabricated in accordance with UL specifications from code gauge steel.
- Continuously welded seams ground smooth.
- Neoprene gasket attached to door with oil resistant adhesive.
- Continuous hinge on one side and screws on opposite side to hold door in place.
- 10 gauge trim around enclosure.
- Standard plastic self-adhesive print pocket.
- Standard collar studs for mounting optional panel.

Finish:

Austin flush NEMA 12 enclosures are provided standard with an ANSI 61 gray polyester powder coating. Optional panels are painted white.

Options:

- Special materials.
- Special finishes.
- Custom box size or construction.



**INDUSTRY
STANDARDS**

UL 50 Type 12
UL 508 Type 12
NEMA Type 12
CUL Type 12

Austin Electrical Enclosures
Post Office Box 2320
Yadkinville, NC 27055

Phone: 336.468.2851
800.288.2851

NEMA 12 FLUSH ENCLOSURES

Catalog Number	Enclosure Size (AxBxC)	Weight	Panel Catalog Number
AB-16126FN	16x12x6	27	AB-1612TP
AB-20166FN	20x16x6	38	AB-2016TP
AB-20206FN	20x20x6	44	AB-2020TP
AB-24206FN	24x20x6	50	AB-2420TP
AB-24248FN	24x24x8	61	AB-2424TP
AB-30248FN	30x24x8	73	AB-3024TP
AB-36248FN	36x24x8	83	AB-3624TP
AB-36308FN	36x30x8	104	AB-3630TP

