

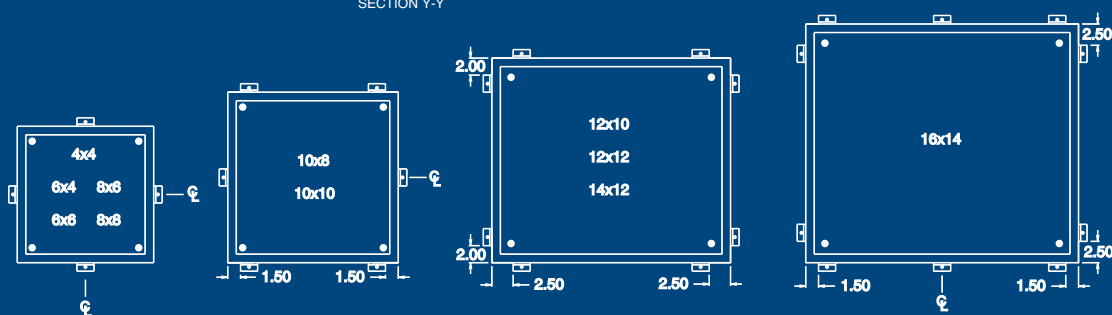
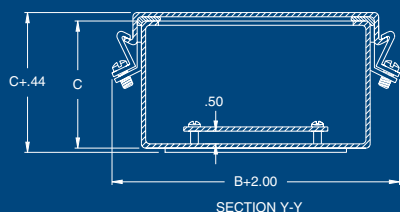
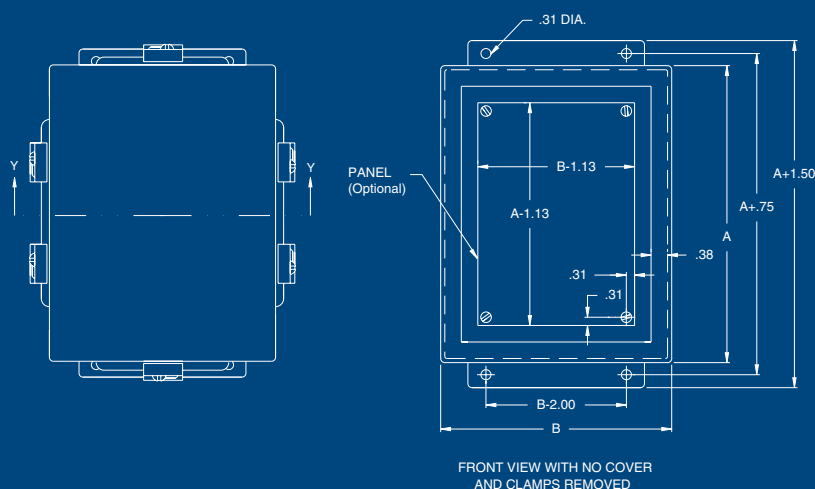
JIC NEMA 4X CLAMP COVER BOXES

Austin JIC Clamp Cover NEMA 4X (JFCX) boxes are Underwriters Laboratories Listed and are designed for housing electrical components in highly corrosive environments. They are designed for indoor or outdoor use primarily to provide a degree of protection against corrosion, windblown dust and rain, splashing water, hose directed water and damage from external ice formation.

Construction:

- Fabricated in accordance with UL specifications from 14 gauge Type 304 stainless steel.
- Continuously welded seams and ground smooth.
- Neoprene gasket attached to cover with oil resistant adhesive.
- Cover held in place by stainless steel external screw clamps.
- External mounting feet.
- Enclosures that are 6x4x3 and over have stainless steel stand-offs provided for mounting optional panel.

Type 4, 12 & 13
Oiltight
Enclosures



Finish:

Austin JIC Clamp Cover NEMA 4X boxes are provided standard in Type 304 stainless steel. Optional panels are painted white or stainless steel panels are unpainted.

Options:

- Type 316 Stainless Steel.
- Custom box size or construction.

**INDUSTRY
STANDARDS**

UL 50 Types 4, 4X, 12 & 13
 UL 508 Types 4, 4X, 12 & 13
 NEMA Types 4, 4X, 12 & 13
 CUL Types 4, 4X, 12 & 13

Austin Electrical Enclosures
 Post Office Box 2320
 Yadkinville, NC 27055

Phone: 336.468.2851
 800.288.2851

JIC NEMA 4X CLAMP COVER BOXES

Catalog Number	Enclosure Size (AxBxC)	Weight	Panel Catalog Number
AB-863.5JFCX	8x6x3 1/2	6	AB-86JP
AB-664JFCX	6x6x4	5	AB-66JP
AB-884JFCX	8x8x4	7	AB-88JP
AB-1084JFCX	10x8x4	9	AB-108JP
AB-12105JFCX	12x10x5	13	AB-1210JP
AB-12126JFCX	12x12x6	15	AB-1212JP
AB-14126JFCX	14x12x6	17	AB-1412JP
AB-16146JFCX	16x14x6	20	AB-1614JP

Type 4, 12 & 13
Oiltight
Enclosures

