

JIC SWING-OUT PANEL KITS

Designed to allow mounting of switches, gauges, pilot lights, and other components near the front of enclosure for easy access. Each kit contains heavy-gauge brackets and hinges which can be installed by drilling holes in the sides of the enclosure and bolting the brackets in place. Mounting hardware and instructions are provided. Swing-out panels can be mounted on either side. Sealing washers are furnished to ensure that the enclosures will meet the original JIC standards after they are installed.



JIC box Swing-Out Panel Kit can be mounted in the following enclosures:

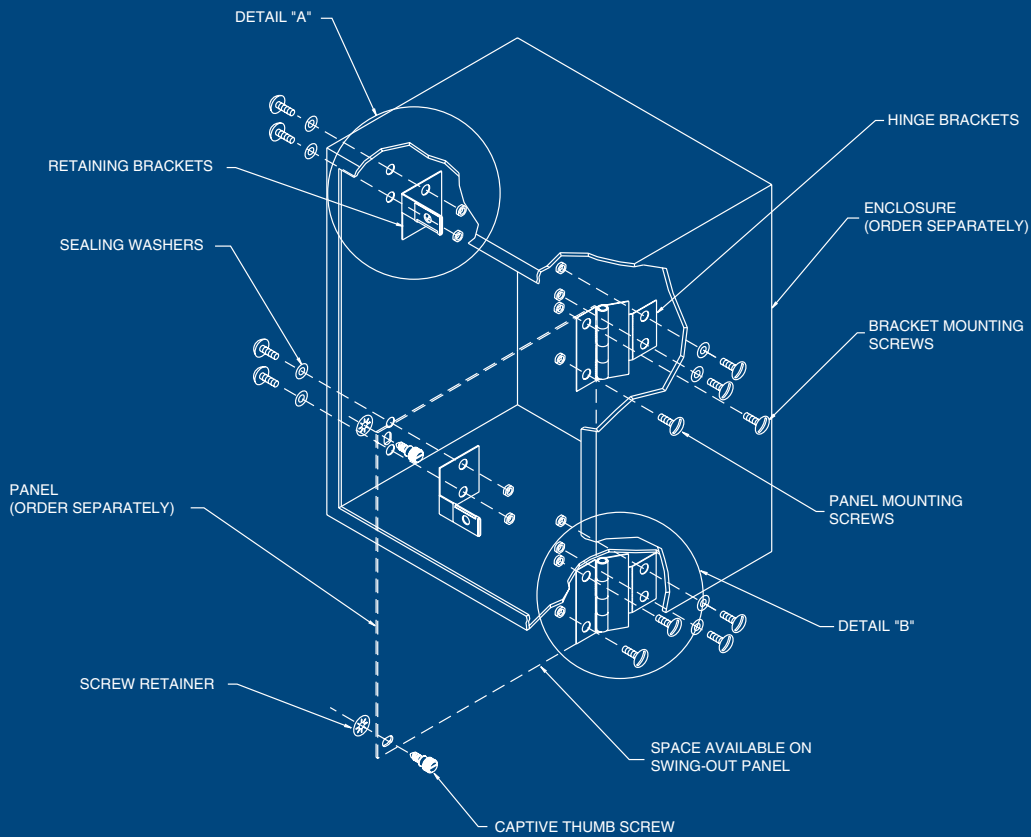
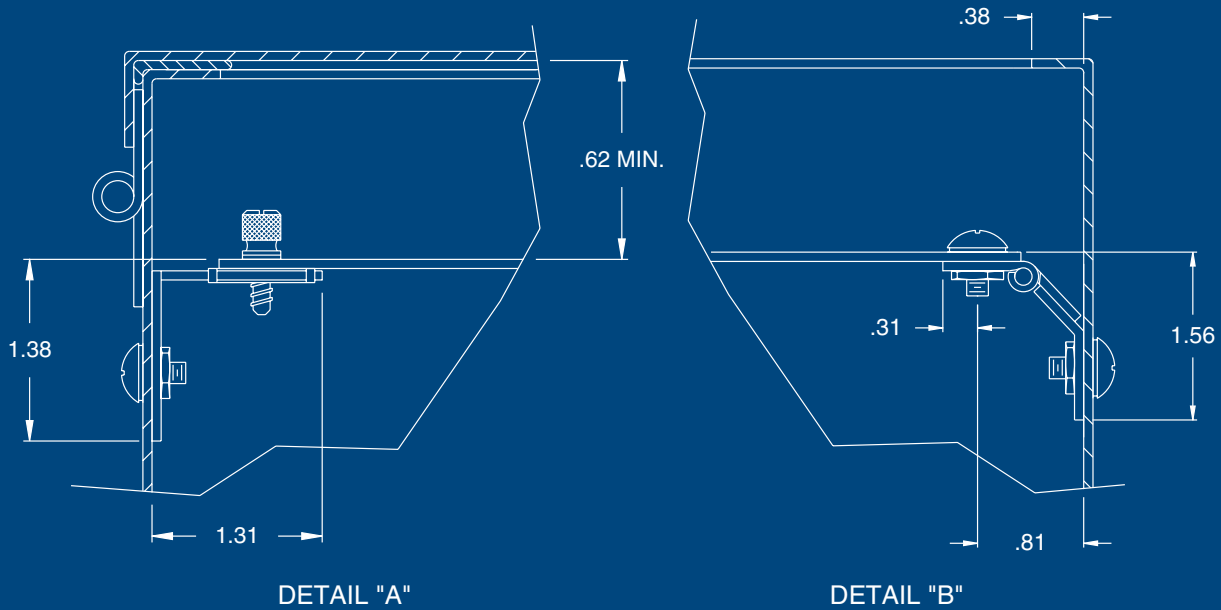
- All JIC boxes where A x B is 8 x 6 or larger.

Accessories

Catalog Number	Description
AB-JSOPK	JIC Swing-Out Panel Kit

*Panels must be ordered separately.
*The maximum load on JIC Panel Kit cannot exceed 25 pounds. The load includes the weight of the panel plus the weight of the added components, with the weight of the components spread evenly over the panel.

JIC SWING-OUT PANEL KITS



Accessories