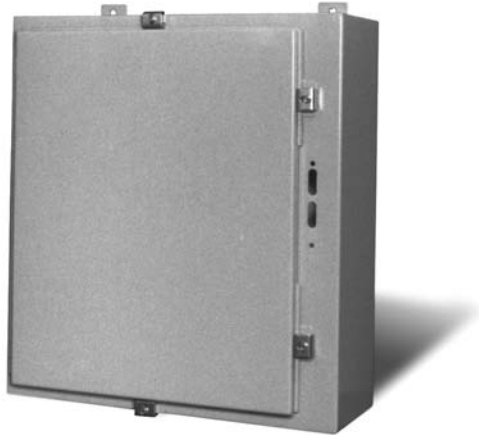


TYPE 4, 4X SINGLE DOOR ENCLOSURES FOR FLANGE-MOUNTED DISCONNECTS

Flange-Mounted
Disconnect
Enclosures



Finish:

Type 4 enclosures are painted ANSI 61 gray polyester powder outside and inside. Type 4X enclosures are unpainted. Optional panels are painted white polyester powder.

INDUSTRY STANDARDS

Steel

UL 508 **Types 4 & 12**

CUL **Types 4 & 12**

NEMA **Types 4, 12, & 3**

Stainless Steel

UL 508 **Types 4X, 4, & 12**

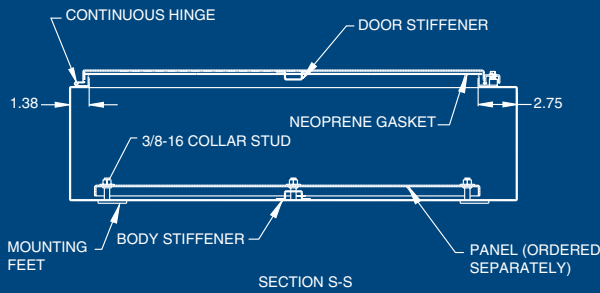
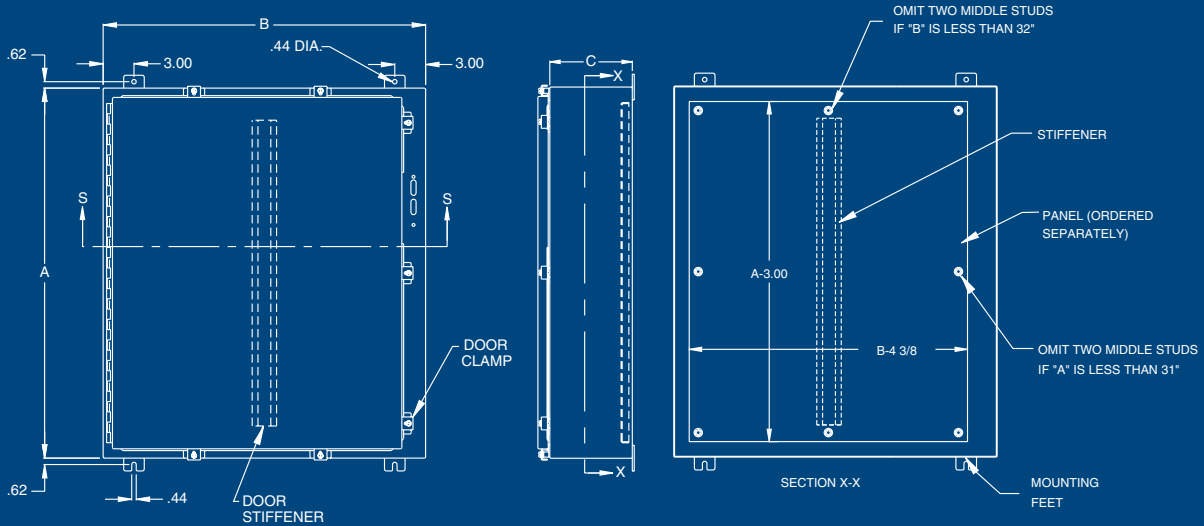
CUL **Types 4X, 4, & 12**

NEMA **Types 4X, 4, 12, & 3**

Construction:

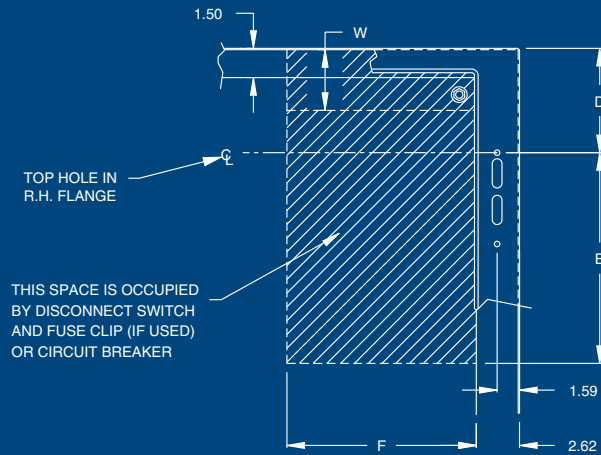
- 14 gauge steel or 14 gauge Type 304 stainless steel.
- Seams are continuously welded and ground smooth.
- External mounting feet.
- Door and body stiffeners in larger enclosures for rigidity.
- Formed lip around all sides of enclosure opening excludes liquids and contaminants.
- Stainless steel exterior hardware.
- Stainless steel door clamps on three sides of door provide a watertight seal.
- Door removable by pulling continuous hinge pin.
- Print pocket included.
- Oil-resistant gasket.
- 3/8-16 threaded collar studs provided for mounting optional panel.
- Holes in body for mounting disconnect operating handle and operating mechanism
- Cover interlock bracket welded to door.
- Disconnect switch, operating handle, and operating mechanism are not furnished with the enclosure. They must be ordered separately from the disconnect manufacturer.

SINGLE DOOR ENCLOSURES FOR FLANGE-MOUNTED DISCONNECTS



SPACE OCCUPIED BY DISCONNECT

NOTE: D = 8.62 WHEN C = 8.00
 D = 11.62 WHEN C = 12.00
 W = WIRING SPACE



Flange-Mounted
 Disconnect
 Enclosures

TYPE 4, 4X SINGLE DOOR ENCLOSURES FOR FLANGE-MOUNTED DISCONNECTS

Austin Type 4 and Type 4X single door enclosures for flange-mounted disconnects are designed to house the following safety disconnect equipment:

- **ABB Controls** flange-mounted variable depth operating mechanisms for disconnect switches and circuit breakers.
- **Allen-Bradley** Bulletin 1494V disconnect switches with flange-mounted variable depth operating mechanisms and Bulletin 1494V flange-mounted variable depth operating mechanisms for circuit breakers. *(These enclosures will not accept Allen-Bradley Bulletin 1494F disconnect devices or Bulletin 1494D circuit breaker operators.)*
- **Cutler-Hammer/Westinghouse** Type C361 flange-mounted variable depth operating mechanisms with disconnect switches and Type C371 flange-mounted variable depth operating mechanisms for circuit breakers.
- **General Electric** Type STDA flange handles and variable depth operating mechanisms for disconnect switches and circuit breakers.
- **I-T-E** Max-Flex flange-mounted variable depth operating handle for disconnect switches and circuit breakers.
- **Square D Class 9422** disconnect switches with flange-mounted variable depth operating mechanisms and Class 9422 flange-mounted variable depth operating mechanisms for circuit breakers. *(These enclosures will not accept Square D Class 9422 bracket-mounted disconnect devices.)*

Flange-Mounted
Disconnect
Enclosures

Catalog Number	Stainless Steel Catalog Number	Enclosure Size AxBxC	Panel Catalog Number	Panel Size Ht.xWd.	Print Pocket	No. of Clamps	Stiffener	
							Door	Body
AB-24228NF/DSC	AB-24228NFX/DSC	24x21.38x8	AB-2420TP	21x17	Small	6	0	0
AB-24268NF/DSC	AB-24268NFX/DSC	24x25.38x8	AB-2424TP	21x21	Small	6	0	0
AB-30268NF/DSC	AB-30268NFX/DSC	30x25.38x8	AB-3024TP	27x21	Large	9	0	0
AB-36268NF/DSC	AB-36268NFX/DSC	36x25.38x8	AB-3624TP	33x21	Large	9	0	0
AB-36328NF/DSC	AB-36328NFX/DSC	36X31.38X8	AB-3630TP	33x27	Large	9	0	1
AB-423212NF/DSC	AB-423212NFX/DSC	42x31.38x12	AB-4230TP	39x27	Small	9	1	1
AB-423812NF/DSC	AB-423812NFX/DSC	42x37.38x12	AB-4236TP	39x33	Large	9	1	1
AB-483812NF/DSC	AB-483812NFX/DSC	48x37.38x12	AB-4836TP	45x33	Large	10	1	1
AB-603812NF/DSC	AB-603812NFX/DSC	60x37.38x12	AB-6036TP	57x33	Large	13	1	1

DISCONNECT ORDERING INFORMATION

When ordering wall-mounted disconnects from the various manufacturers, be sure to order the necessary items. Each company has a different system, so make sure to order the following items from the disconnect manufacturer.

Allen-Bradley

When using a Bulletin 1494V disconnect switch, order:

- A disconnect switch with operating mechanism (Bulletin 1494V)
- An operating handle (Bulletin 1494V-W1)
- A connecting rod [Bulletin 1494V-RA1 for 8" deep enclosures; Bulletin 1494V-RA2 for 12" deep enclosures]
- A trailer fuse block kit, if required (Bulletin 1494V)
- A fuse clip kit, if required
- Line and load connectors, if required

When using a Bulletin 1494V circuit breaker operating mechanism, order:

- A circuit breaker (C-H/Westinghouse)
- A circuit breaker operating mechanism (Bulletin 1494V)
- An operating handle (Bulletin 1494V-W11)
- A connecting rod [Bulletin 1494V-RA1 for 8" deep enclosures; Bulletin 1494V-RA2 for 12" deep enclosures]

ABB Controls

When using a disconnect switch, order:

- A flange-operated switch (fusible or non-fusible)
- A shaft (DSFHS-12)
- A handle (DSFHN-HS4)

When using a circuit breaker, order:

- A circuit breaker (ABB)
- An operating mechanism
- A shaft (FHS-12)
- A handle (FHN-HS4)

Cutler-Hammer/Westinghouse

When using a Type C361 disconnect switch, order:

- A disconnect switch with an operating mechanism
- An operating handle (C361H2 or C361H4)

When using a Type C371 circuit breaker operating mechanism with a C-H/Westinghouse circuit breaker, order:

- A circuit breaker
- An operating mechanism
- An operating handle (C371H2 or C371H4)

When using a C-H/Westinghouse circuit breaker with Type 4/4X Flex Shaft handle mechanism, order:

- A circuit breaker
- A complete Flex Shaft handle mechanism

General Electric

When using a disconnect switch, order:

- A disconnect switch (QMR or QMW)
- A fuse clip kit or no-fuse kit
- A flange handle (STDA1X)
- A variable depth operating mechanism

When using a circuit breaker, order:

- A circuit breaker
- A flange handle (STDA1X)
- A variable depth operating mechanism

When using a circuit breaker with a Spectra Flex cable operator, order:

- A circuit breaker
- A flange-mounted handle mechanism
- A breaker-mounted mechanism
- An operating cable

I-T-E Siemens

When using a disconnect switch, order:

- A basic switch (right hand)
- A fuse or non-fuse kit
- A flange-mounted handle (FHOHS4)
- Switch operator
- Cable, 36'

When using a circuit breaker, order:

- A circuit breaker
- Pressure wire connectors
- A flange-mounted handle (FHOHS4)
- A circuit breaker operator mechanism
- An operating cable (standard 36")

Square D

When using a Class 9422 disconnect switch, order:

- A disconnect switch with operating mechanism (Class 9422)
- A handle mechanism (Class 9422 Type A-2 or A-1)

When using a circuit breaker, order:

- A circuit breaker (Square D)
- An operating mechanism (Class 9422)
- A handle mechanism (Class 9422 Type A-2 or A-1)

When using a Class 9422 Type "T" disconnect switch with a cable mechanism, order:

- A disconnect switch with operating mechanism (Class 9422, Type T)
- A handle mechanism (Class 9422 Type A-1)
- A cable mechanism (Class 9422 CFT-O) 3-, 5-, or 10-foot

When using a circuit breaker with a cable mechanism, order:

- A circuit breaker
- A handle mechanism (Class 9422 Type A-1)
- A cable mechanism (Class 9422 CFT_O) 3-, 5-, or 10-foot

TYPE 4, 4X, 12 SINGLE DOOR ENCLOSURES FOR FLANGE-MOUNTED DISCONNECTS

Flange-Mounted Disconnect Enclosures

Wire Bend Space Above Disconnect

Allen-Bradley Bulletin 1494V Disconnects

Type Number	Amp Rating	Fuse Clip	Fuse Class	Space Occupied		Type 12			Type 4 & 12	
				E	F*	When C = 8	When C = 10	When C = 12 or 16	When C = 8	When C = 12
						W	W	W	W	W
DS30	30A	NO FUSE	NA	3.88	6.62	2.88	5.25	9.75	6.75	9.75
DS30	30A	30A-250V	H,K,R	5.25	6.62	2.88	5.25	9.75	6.75	9.75
DS30	30A	30A-600V	H,K,R	8.00	6.62	2.88	5.25	9.75	6.75	9.75
DS30	30A	30A-600V	J	5.25	6.62	2.88	5.25	9.75	6.75	9.75
DS30	30A	60A-250V	H,K	6.00	6.62	2.88	5.25	9.75	6.75	9.75
DS30	30A	60A-600V	H,K	8.50	6.62	2.88	5.25	9.75	6.75	9.75
DS30	30A	60A-600V	J	5.38	6.62	2.88	5.25	9.75	6.75	9.75
DS60	60A	NO FUSE	NA	3.88	6.62	2.75	5.12	9.62	6.62	9.62
DS60	60A	60A-250V	H,K,R	6.00	6.62	2.75	5.12	9.62	6.62	9.62
DS60	60A	60A-600V	H,K,R	8.50	6.62	2.75	5.12	9.62	6.62	9.62
DS60	60A	60A-600V	J	5.38	6.62	2.75	5.12	9.62	6.62	9.62
DS60	60A	30A-600V	H,K,R	8.00	6.62	2.75	5.12	9.62	6.62	9.62
DS60	60A	100A-250V	H,K	8.50	6.62	2.75	5.12	9.62	6.62	9.62
DS60	60A	100A-600V	H,K	10.50	6.62	2.75	5.12	9.62	6.62	9.62
DS60	60A	100A-600V	J	7.25	6.62	2.75	5.12	9.62	6.62	9.62
DS100**	100A	NO FUSE	NA	3.88	6.62	NA	5.12	9.62	6.44	9.62
DS100**	100A	100A-250V	H,K,R	8.12	6.62	NA	5.12	9.62	6.44	9.62
DS100**	100A	100A-600V	H,K,R	10.12	6.62	NA	5.12	9.62	6.44	9.62
DS100**	100A	100A-600V	J	6.88	6.62	NA	5.12	9.62	6.44	9.62
DS100**	100A	60A-600V	H,K,R	10.12	6.62	NA	5.12	9.62	6.44	9.62
DS100**	100A	60A-600V	J	8.88	6.62	NA	5.12	9.62	6.44	9.62
DS200**	200A	NO FUSE	NA	4.75	7.88	NA	NA	8.12	NA	8.12
DS200**	200A	200A-250V	H,K,R	10.88	7.88	NA	NA	8.12	NA	8.12
DS200**	200A	200A-600V	H,K,R	13.38	7.88	NA	NA	8.12	NA	8.12
DS200**	200A	200A-600V	J	9.50	7.88	NA	NA	8.12	NA	8.12
DS200**	200A	100A-600V	H,K,R	12.00	7.88	NA	NA	8.12	NA	8.12
DS200**	200A	100A-600V	J	8.75	7.88	NA	NA	8.12	NA	8.12
M40	15A-150A	Westinghouse Circuit Breakers EHD, FD, FDB FDC, HFD, HMCP	NA	5.00	4.50	4.25	6.62	11.12	8.12	11.12
M50	70A-250A	Westinghouse Circuit Breakers JD, JDB, JDC, HJD, HMCP	NA	9.75	4.75	NA	NA	10.62	NA	10.62
M60	100A-400A	Westinghouse Circuit Breakers KD, KDB, KDC HKD, HMCP	NA	9.69	6.12	NA	NA	10.50	NA	10.50

*Does not include space for optional auxiliary switch .

**Series B

DISCONNECT WIRING SPACE INFORMATION

ABB Controls Disconnect Switches with Flange-Mounted Operators				Wire Bend Space Above Disconnect						
				Space Occupied		Type 12			Type 4 & 12	
						When C = 8 W	When C = 10 W	When C = 12 or 16 W	When C = 8 W	When C = 12 W
Switch Number	Amp Rating	Fuse Clip	Fuse Class	E	F					
OETL-NF30-F	40A	NO FUSE	NA	4.45	3.78	6.41	8.75	13.28	10.28	13.28
OETL-NF60-F	80A	NO FUSE	NA	4.86	3.78	6.22	8.56	13.09	10.09	13.09
OETL-NF100-F	100A	NO FUSE	NA	4.86	4.78	5.66	8.00	12.53	9.53	12.53
OETL-NF175-F	175A	NO FUSE	NA	7.30	6.49	NA	5.75	10.28	7.28	10.28
OETL-NF200-F	200A	NO FUSE	NA	7.36	7.28	NA	5.75	10.28	7.28	10.28
OESA-F30J6-F	30A	30A-600V	J	4.28	6.58	4.73	7.07	11.61	8.61	11.61
OESA-F60J6-F	60A	60A-600V	J	4.28	6.26	4.73	7.07	11.61	8.61	11.61
OESA-F100J6-F	100A	100A-600V	J	6.54	7.65	4.30	6.64	11.17	8.17	11.17

ABB Controls Circuit Breakers with Flange-Mounted Operators				Wire Bend Space Above Disconnect						
				Space Occupied		Type 12			Type 4 & 12	
						When C = 8 W	When C = 10 W	When C = 12 or 16 W	When C = 8 W	When C = 12 W
Mechanism	Amp Rating	Frame Type	E	F						
FHD-M	150A	D	6.92	3.94	5.29	7.64	12.17	9.17	12.17	
FHF-M	150A-225A	E/Q	5.98	4.23	3.84	6.19	10.72	7.72	10.72	
FHF-M	225A	F	7.44	4.23	3.84	6.19	10.72	7.72	10.72	
FHJ-M	400A	J	9.71	5.62	NA	NA	8.77	NA	8.77	
FHM-M	600A	L	8.28	11.26	NA	NA	8.28	NA	8.28	
FHM-M	800A	M	10.11	11.26	NA	NA	7.87	NA	7.87	

TYPE 4, 4X, 12 SINGLE DOOR ENCLOSURES FOR FLANGE-MOUNTED DISCONNECTS

Flange-Mounted Disconnect Enclosures

Cutler-Hammer C361 Disconnect Switches							Wire Bend Space Above Disconnect										
							Switch Number			Type Number		Amp Rating		Type 12		Type 4 & 12	
														When C = 8 W	When C = 10 W	When C = 12 or 16 W	When C = 8 W
Fuse Clip	Fuse Class	Space Occupied															
		E	F														
C361	NC	30A	NO FUSE	NA	5.75	7.43	3.44	5.75	10.31	7.31	10.31						
C361	SC21	30A	30A-250V	H,K,R	8.38	7.43	3.44	5.75	10.31	7.31	10.31						
C361	SC61	30A	60A-250V	H,K,R	8.38	7.43	3.44	5.75	10.31	7.31	10.31						
C361	SC61	30A	30A-600V	H,J,K,R	8.38	7.43	3.44	5.75	10.31	7.31	10.31						
C361	ND	60A	NO FUSE	NA	5.75	7.43	3.44	5.75	10.31	7.31	10.31						
C361	SD22	60A	60A-250V	H,K,R	8.38	7.43	3.44	5.75	10.31	7.31	10.31						
C361	SD22	60A	30A-600V	J	8.38	7.43	3.44	5.75	10.31	7.31	10.31						
C361	SD62	60A	60A-600V	H,K,R	8.38	7.43	3.44	5.75	10.31	7.31	10.31						
C361	SD62	60A	60A-600V	J	8.38	7.43	3.44	5.75	10.31	7.31	10.31						
C361	NE	100A	NO FUSE	NA	5.56	8.95	3.00	5.38	9.91	7.47	9.91						
C361	SE263	100A	100A-250V	H,K,R	10.31	8.95	3.00	5.38	9.91	7.47	9.91						
C361	SE263	100A	100A-600V	H,K,R	10.31	8.95	3.00	5.38	9.91	7.47	9.91						
C361	SE263	100A	100A-600V	J	10.31	8.95	3.00	5.38	9.91	7.47	9.91						
C361	NF*	200A	NO FUSE	NA	13.06	10.00	NA	NA	7.94	4.94	7.94						
C361	SF264*	200A	200A-250V	H,K,R	13.06	10.00	NA	NA	7.94	4.94	7.94						
C361	SF264*	200A	200A-600V	H,J,K,R	13.06	10.00	NA	NA	7.94	4.94	7.94						

Cutler-Hammer C371 Circuit Breaker Operators for C-H / Westinghouse Circuit Breakers					Wire Bend Space Above Disconnect									
					Mechanism		Max Amp Rating		Frame Type		Type 12		Type 4 & 12	
											When C = 8 W	When C = 10 W	When C = 12 or 16 W	When C = 8 W
						Space Occupied								
						E	F							
C371E	225A	F-Frame: EHD, FDB, FD, HFD, FDC		6.00	5.50	4.44	6.81	11.44	8.44	11.44				
C371E	150A	F-Frame: HMCP		6.00	5.50	4.44	6.81	11.44	8.44	11.44				
C371F	250A	J Frame: JDB, JD, HJD, JDC		8.94	8.00	NA	6.75	11.25	NA	11.25				
C371F	250A	J Frame: HCMP		10.94	8.00	NA	6.75	11.25	NA	11.25				
C371F	400A	K Frame: DK, KDB, KD, HKD		9.75	8.00	NA	NA	10.75	NA	10.75				
C371F	400A	K Frame: HMCP		9.75	8.00	NA	NA	10.75	NA	10.75				
C371G	600A	L Frame: LD, HLD, LDC		8.44	11.88	NA	NA	9.18	NA	9.18				
C371G	600A	L Frame: HMCP		8.44	11.88	NA	NA	9.18	NA	9.18				

DISCONNECT WIRING SPACE INFORMATION

Cutler-Hammer Flex Shaft Operator Mechanisms for C-H/Westinghouse Circuit Breakers

Complete Operator Mechanism	Amp Rating	Frame Type	Breaker Height	Breaker Width
F1S03	225A	F-Frame/EHD, FDB, FD, HFD, FDC	6.00	4.12
F1S03	150A	F-Frame HMCP	6.00	4.12
F2S03	250A	J-Frame/JDB, JD, HJD, JDC	10.00	4.12
F2S03	250A	J-Frame HMCP	10.00	4.12
F3S03	400A	K-Frame/DK, KDB, KD, HKD	10.12	5.50
F3S03	400A	K-Frame HMCP	12.45	5.50
F4S03	600A	L-Frame/LD, HLD, LDC	10.75	8.25
F4S03	600A	L-Frame HMCP	12.50	8.25
F7S04	800A	M-Frame/MD, MDS	16.00	8.25
F5S04	1200A	N-Frame/ND, HND, NDC	16.00	8.25
F6S04	2500A	R-Frame/RD, CRD, RDC	16.00	15.50

-Catalog numbers for complete mechanisms include a flange-mounted handle, flexible shaft and circuit breaker mechanism.
 -The last digit of the catalog number denotes the length of shaft (F1S03 = 3 foot shaft). The F, J, K frame Flex Shafts are available in 3-foot to 10-foot lengths. The L, N, R frame Flex Shafts are available in 4-foot to 6-foot lengths.

Space Occupied by Disconnect

- *The Flex Shaft system allows the circuit breaker to be positioned independent from the flange-mounted handle mechanism.
- *Refer to **National Electrical Code 1999**, article 430-10(b) for wiring space "W" required for line side conductors.
- *Choose the length of shaft based on placement of the circuit breaker in the enclosure ensuring a 4" minimum bending radius for the Flex Shaft.
- *Space occupied by circuit breaker is determined by overall height "X", width "Y", wire bend space "W" and location "F" as selected from right to left.

General Electric Type STDA Operators for Disconnects

Wire Bend Space Above Disconnect

Mechanism	Amp Rating	Fuse Clip	Fuse Class	Space Occupied		Type 12			Type 4 & 12	
						When C = 8	When C = 10	When C = 12 or 16	When C = 8	When C = 12
						W	W	W	W	W
TD0M1A	30A	NO FUSE	NA	7.75**	5.25	6.18*	7.62	12.12	9.12	12.12
TD0M1A	30A	30A-250V	H,R	7.75**	5.25	6.18*	7.62	12.12	9.12	12.12
TD0M1B	30A	30A-600V	H,R	12.38**	5.25	6.18*	7.62	12.12	9.12	12.12
TD0M1B	30A	60A-250V	H,R	12.38**	5.25	6.18*	7.62	12.12	9.12	12.12
TD0M1B	30A	60A-600V	H,R	12.38**	5.25	6.18*	7.62	12.12	9.12	12.12
TD0M1A	60A	NO FUSE	NA	7.75**	5.25	6.18*	7.62	12.12	9.12	12.12
TD0M1B	60A	60A-250V	H,R	12.38**	5.25	6.18*	7.62	12.12	9.12	12.12
TD0M1B	60A	60A-600V	H,R	12.38**	5.25	6.18*	7.62	12.12	9.12	12.12
TD0M1B	60A	100A-250V	H,R	12.38**	5.25	6.18*	7.62	12.12	9.12	12.12
TD0M1B	60A	100A-600V	H,R	12.38**	5.25	6.18*	7.62	12.12	9.12	12.12
TD0M1A	100A	NO FUSE	NA	7.75**	5.25	6.18*	7.62	12.12	9.12	12.12
TD0M1B	100A	100A-250V	H,R	12.38**	5.25	6.18*	7.62	12.12	9.12	12.12
TD0M1B	100A	100A-600V	H,R	12.38**	5.25	6.18*	7.62	12.12	9.12	12.12
TD0M1B	100A	200A-250V	H,R	12.38**	5.25	6.18*	7.62	12.12	9.12	12.12
TD0M1B	100A	200A-600V	H,R	12.38**	5.25	6.18*	7.62	12.12	9.12	12.12
TD0M2	200A	NO FUSE	NA	7.00	9.12	NA	NA	9.50	6.50	9.50
TD0M2	200A	200A-250V	H,R	15.38	9.12	NA	NA	9.50	6.50	9.50
TD0M2	200A	200A-600V	H,R	15.38	9.12	NA	NA	9.50	6.50	9.50

*Disconnect moved down .88" to fit on panel
 **Dimension applies to 8" deep enclosures and is .88" less in deeper enclosures

TYPE 4, 4X, 12 SINGLE DOOR ENCLOSURES FOR FLANGE-MOUNTED DISCONNECTS

Flange-Mounted Disconnect Enclosures

General Electric Type STDA Operators for Circuit Breakers					Wire Bend Space Above Disconnect				
Mechanism	Amp Rating	Frame Type	Space Occupied		Type 12			Type 4 & 12	
			E	F	When C = 8	When C = 10	When C = 12 or 16	When C = 8	When C = 12
					W	W	W	W	W
SD0M1A	150A	TEB, TED, THED	7.75**	5.25	6.06*	7.50	12.06	9.06	12.06
SD0M1A	150A	TEC	7.75**	5.25	6.06*	7.50	12.06	9.06	12.06
TD0M1B	150A	TB1	12.38**	5.25	6.06*	7.50	12.06	9.06	12.06
TD0M1B	150A	TEC, TECL	12.38**	5.25	6.06*	7.50	12.06	9.06	12.06
TD0M1C	150A	TEL	7.75**	5.25	6.06*	7.50	12.06	9.06	12.06
TD0M1D	150A	THLC1	7.75**	5.25	NA	5.12	9.62	6.62	9.62
TD0M3	225A	TFJ	10.38	5.75	NA	6.06	10.62	7.62	10.62
TD0M3	225A	TFK, THFK, TFL	10.38	5.75	NA	6.06	10.62	7.62	10.62
TD0M4	400A	TJJ, TJK4, THJK4, TJL4V	8.25	9.38	NA	5.12	9.69	6.69	9.69
TD0M4	600A	TJK6, THJK6, TJ4V, TJL4V	8.25	9.38	NA	5.12	9.69	6.69	9.69
TD0M5	400A	TB4, TJH6S	14.25	9.38	NA	5.12	9.69	6.69	9.69
TD0M6	225A	TLB2, THLC2	11.75	9.38	NA	NA	9.12	6.12	9.12
TD0M6	400A	TLB4, THLC4	11.75	9.38	NA	NA	7.75	4.75	7.75
SD0M1A	150A	SPECTRA SE150	7.75**	5.25	6.06*	7.50	12.06	9.06	12.06
SD0M3	250A	SPECTRA SF250	10.38	5.75	NA	6.06	10.62	7.06	10.06
SD0M4	600A	SPECTRA SG600	10.00	7.00	NA	NA	7.93	NA	7.93

*Disconnect moved down .88" to fit on panel.
**Dimension applies to 8" deep enclosures and is .88" less in deeper enclosures.

General Electric Circuit Breakers with Spectra Flex Cable Operators			
Frame Size	Max Amp Rating	Circuit Breaker Height "X"	Circuit Breaker Width "Y"
E150	150A	6.31	4.12
SE150	150A	6.31	4.12
SF250	250A	10.12	4.12
SG600	600A	10.09	5.50
SK1200	1200A	15.50	8.25

See enclosure size tables for enclosures that will accept these devices

Frame Size	Breaker Mechanism	Flange-Mounted Handle	Operating Cable
E150	SC0M1A	SCH1	SC3L
SE150/SF250	SC0M1EF	SCH1	SC3L
SG600	SC0M1G	SCH1	SC3L
SK1200	SC0M1K	SCH2K	SC3H

*Operating cables are available in 3-foot to 10-foot lengths. (The number 3 in the catalog number denotes 3-foot cable.)
**Add "X" for NEMA 4 or 4X flange mounted handle.

Space Occupied by Circuit Breaker

- The General Electric Spectra-Flex cable operators allow a circuit breaker to be positioned independent from the flange-mounted handle mechanism.
- Refer to **National Electrical Code 1999** article 430-10(b) for wiring space "W" required for line side conductors.
- Choose the operating cable length based on placement of circuit breaker in the enclosure ensuring a 3" minimum bending radius for the cable.
- Space occupied by circuit breaker is determined by overall circuit breaker size ("X" height and "Y" width) plus "W" wire bend space and location "F" from right to left as selected.

DISCONNECT WIRING SPACE INFORMATION

I-T-E Disconnect Switches for Max-Flex Operators

Switch	Amp Rating	Fuse Clip	Fuse Class	Disconnect Height "X"	Disconnect Width "Y"
MCS603R	30A	NO FUSE	NA	5.52	6.13
MCS603R	30A	30A-250V	H,K,R	8.11	6.13
MCS603R	30A	30A-600V	H,K,R	10.11	6.13
MCS603R	30A	30A-600V	J	8.48	6.13
MCS606R	60A	NO FUSE	NA	5.52	6.13
MCS606R	60A	60A-250V	H,K,R	7.86	6.13
MCS606R	60A	60A-600V	H,K,R	10.38	6.13
MCS606R	60A	60A-600V	J	8.36	6.13
MCS610R	100A	NO FUSE	NA	7.59	7.38
MCS610R	100A	100A-250V	H,K,R	11.85	7.38
MCS610R	100A	100A-600V	H,K,R	13.85	7.38
MCS610R	100A	100A-600V	J	10.60	7.38
MCS620R	200A	NO FUSE	NA	9.02	9.17
MCS620R	200A	200A-250V	H,K,R	14.70	9.17
MCS620R	200A	200A-600V	H,K,R	17.20	9.17
MCS620R	200A	200A-600V	J	13.32	9.17

See enclosure size table for enclosures that accept these devices

I-T-E Circuit Breakers with Max-Flex Operators

Complete (1) (2) Operator Mechanism	Circuit Breaker Frame	Maximum Amp Rating	Circuit Breaker Height "X"	Circuit Breaker Width "Y"	Circuit Breaker Type
FH0E036	ED	125A	6.34	3.00	ED2, ED4, ED6, HED4, HED6
FH0E36	CED	125A	9.58	3.00	CED6
FH0F036	FD	250A	9.50	4.50	FXD6-A, FD6-A, HFD6, FXD6-ETJ, HHFD6, HHFXD6
FH0J036	CFD	250A	14.25	4.50	CFD6, CFD6-ETI
FH0J036	JD	400A	11.00	7.50	JXD2, JXD6, JD6, HJD6, HHJD6, HHJXD6, JXD6-ETI
FH0J036	CJD	400A	17.86	7.50	CJD6, CJD6-ETI
FH0J036	LD	600A	11.00	7.50	LXD6, LD6, HLD6, HHLXD6, HHLDX6, LXD6-ETI
FH0J036	CLD	600A	17.86	7.50	CLD6, CLD6-ETI
FH0LM036	LMD	800A	16.00	9.00	LMD6, LMXD6, HLMD6, HLMXD6, LMXD6-ETI

1) The last 3 digits of operator mechanism number indicate cable length in inches. 48" cables are available for ED, FD, JD/LD operators and 60" cables for MD/ND, PD/RD operators

2) For Type 4 applications order handle, cable and circuit breaker operator separately.

Space Occupied by Disconnect

- The I-T-E Max-Flex cable system allows the disconnect to be positioned independent from the flange-mounted handle operator.
- Refer to **National Electrical Code 1999** article 430-10(b) for wiring space "W" required for line side conductors.
- Refer to Siemens I-T-E installation instructions for limits on disconnect location when using 36" or 48" Max-Flex cables
- Space occupied by disconnect is determined by overall disconnect height "X", width "Y", wire bend space "W", and location "F" as selected from right to left.

TYPE 4, 4X, 12 SINGLE DOOR ENCLOSURES FOR FLANGE-MOUNTED DISCONNECTS

Flange-Mounted
Disconnect
Enclosures

Square D Class 9422 Disconnect Switches used with Cable Mechanism 9422-CFT30* and 9422A-1 Handle Mechanism

Switch	Amp Rating	Fuse Clip	Fuse Class	Disconnect Height "X"	Disconnect Width "Y"
TCN-30	30A	NO FUSE	NA	5.90	6.20
TCF-30	30A	30A-250V	H,K,R	7.50	6.20
TCF-33	30A	30A-600V	H,K,R	10.15	6.20
TCF-33	30A	60A-250V	H,K,R	8.15	6.20
TCF-33	30A	30A-600V	J	7.50	6.20
TDN-60	60A	NO FUSE	NA	5.90	6.20
TDF-60	60A	30A-600V	H,K,R	10.15	6.20
TDF-60	60A	60A-250V	H,K,R	8.15	6.20
TDF-63	60A	60A-600V	H,K,R	10.65	6.20
TDF-63	60A	60A-600V	J	7.50	6.20
TEN-10	100A	NO FUSE	NA	5.90	6.20
TEF-10	100A	100A-250V	H,K,R	10.35	6.20
TEF-10	100A	100A-600V	H,K,R	12.35	6.20
TEF-10	100A	100A-600V	J	10.35	6.20

See enclosure size table for enclosures that accept these devices.

*Use switch with appropriate cable mechanism and 9422-A1 handle mechanism.

Square D Class 9422 Cable Mechanisms for Circuit Breakers

Cable Type* Switch	Amp Rating	Frame Type	Circuit Breaker Height "X"	Circuit Breaker Width "Y"
9422 CGJ30	75A	GJL	4.75	3.50
9422 CEJ30	100A	GJL	4.75	3.50
9422 CFA30	100A	FAL, FHL	6.00	4.50
9422 CKA30	250A	KAL, KHL	8.00	4.50
9422 CLA30	400A	LAL, LHL, Q4L	11.00	6.00

See enclosure size table for enclosures that accept these devices.

Use cable mechanism with appropriate circuit breaker and 9422-A1 handle mechanism.

*Cable operators are available in 3, 5, and 10 foot lengths. Numbers shown (30) are for 3 foot cables.

Space Occupied by Disconnect Switch or Circuit Breaker

- Square D cable mechanisms allow disconnect device to be positioned independent from the flange mounted handle mechanism.
- Refer to **National Electrical Code 1999** article 430-10(b) for wiring space "W" required for line side conductors.
- Choose cable mechanism length based on placement of disconnect in enclosure. See Square D Instruction Bulletin for minimum bend radius for cable.
- Space occupied by disconnect is determined by overall disconnect ("X" height and "Y" width) plus "W" wire bend space and location "F" from right to left as selected.

DISCONNECT WIRING SPACE INFORMATION

Square D Class 9422 Disconnects						Wire Bend Space Above Disconnect							
						Space Occupied			Type 12			Type 4 & 12	
									When C = 8 W	When C = 10 W	When C = 12 or 16 W	When C = 8 W	When C = 12 W
Type Number	Amp Rating	Fuse Clip	Fuse Class	E	F								
TCN-30	30A	NO FUSE	NA	3.80	6.84	3.69	6.03	10.56	7.56	10.56			
TCF-30	30A	30A-250V	H,K,R	5.53	6.84	3.69	6.03	10.56	7.56	10.56			
TCF-33	30A	30A-600V	H,K,R	8.15	6.84	3.69	6.03	10.56	7.56	10.56			
TCF-33	30A	60A-250V	H,K,R	6.15	6.84	3.69	6.03	10.56	7.56	10.56			
TCF-33	30A	30A-600V	J	5.53	6.84	3.69	6.03	10.56	7.56	10.56			
TDN-60	60A	NO FUSE	NA	3.80	6.84	3.69	6.03	10.56	7.56	10.56			
TDF-60	60A	30A-600V	H,K,R	8.15	6.84	3.69	6.03	10.56	7.56	10.56			
TDF-60	60A	60A-250V	H,K,R	6.15	6.84	3.69	6.03	10.56	7.56	10.56			
TDF-63	60A	60A-600V	H,K,R	8.65	6.84	3.69	6.03	10.56	7.56	10.56			
TDF-63	60A	60A-600V	J	5.53	6.84	3.69	6.03	10.56	7.56	10.56			
TEN-10	100A	NO FUSE	NA	3.80	6.84	NA	5.91	10.44	7.44	10.44			
TEF-10	100A	100A-250V	H,K,R	8.25	6.84	NA	5.91	10.44	7.44	10.44			
TEF-10	100A	100A-600V	H,K,R	10.25	6.84	NA	5.91	10.44	7.44	10.44			
TEF-10	100A	100A-600V	J	7.05	6.84	NA	5.91	10.44	7.44	10.44			
TC-1	30A	NO FUSE	NA	5.75	6.00	3.12	5.12	9.62	6.62	9.62			
TC-2	30A	30A-250V	H,K,R	5.75	6.00	3.12	5.12	9.62	6.62	9.62			
TC-3	30A	30A-600V	H,K,R	7.75	6.00	3.12	5.12	9.62	6.62	9.62			
TC-3	30A	60A-250V	H,K,R	5.88	6.00	3.12	5.12	9.62	6.62	9.62			
TC-3	30A	30A-600V	J	5.75	6.00	3.12	5.12	9.62	6.62	9.62			
TD-1	60A	NO FUSE	NA	6.38	6.62	3.62	6.00	10.50	7.50	10.50			
TD-2	60A	30A-600V	H,K,R	8.50	6.62	3.62	6.00	10.50	7.50	10.50			
TD-2	60A	60A-250V	H,K,R	6.50	6.62	3.62	6.00	10.50	7.50	10.50			
TD-3	60A	60A-600V	H,K,R	9.00	6.62	3.62	6.00	10.50	7.50	10.50			
TD-3	60A	60A-600V	J	6.38	6.62	3.62	6.00	10.50	7.50	10.50			
TE-1	100A	NO FUSE	NA	4.75	8.38	NA	5.75	10.25	NA	10.2			
TE-2	100A	100A-250V	H,K,R	7.50	8.38	NA	5.75	10.25	NA	10.25			
TE-2	100A	100A-600V	H,K,R	9.50	8.38	NA	5.75	10.25	NA	10.25			
TE-2	100A	100A-600V	J	6.25	8.38	NA	5.75	10.25	NA	10.25			
TE-3	100A	200A-600V	J	13.75	8.38	NA	5.75	10.25	NA	10.25			
TF-1	200A	NO FUSE	NA	5.50	11.62	NA	NA	8.88	NA	8.88			
TF-2	200A	200A-250V	H,K,R	11.50	11.62	NA	NA	8.88	NA	8.88			
TF-2	200A	200A-600V	H,K,R	14.00	11.62	NA	NA	8.88	NA	8.88			
TF-2	200A	200A-600V	J	10.12	11.62	NA	NA	8.88	NA	8.88			
TF-3	200A	400A-600V	J	14.50	11.62	NA	NA	8.88	NA	8.88			
RG-1	75A	GJL	Circuit Breaker	3.53	3.74	3.59	5.93	10.47	7.47	10.47			
RG-1	100A	GJL	Circuit Breaker	3.53	3.74	3.59	5.93	10.47	7.47	10.47			
RN-1	100A	FAL, FHL	Circuit Breaker	5.12	5.25	3.75	6.12	10.62	7.62	10.62			
RP-1	250A	KAL, KHL	Circuit Breaker	7.12	5.62	4.25*	6.88	11.37	8.38	11.38			
RR-1	400A	LAL, LHL, Q4L	Circuit Breaker	7.62	8.75	NA	NA	7.00	NA	7.00			

*Not recommended except with #1 or smaller line conductors.

Flange-Mounted
Disconnect
Enclosures