

NEMA SWING-OUT PANEL KITS

Designed to allow mounting of switches, gauges, pilot lights, and other components near the front of enclosure for easy access. Each kit contains heavy-gauge brackets and hinges which can be installed by drilling holes in the sides of the enclosure and bolting the brackets in place. Mounting hardware and instructions are provided. Swing-out panels can be mounted on either side. Sealing washers are furnished to ensure that the enclosures will meet the original NEMA standards after they are installed.



NEMA Swing-Out Panel Kit can be mounted in the following enclosures:

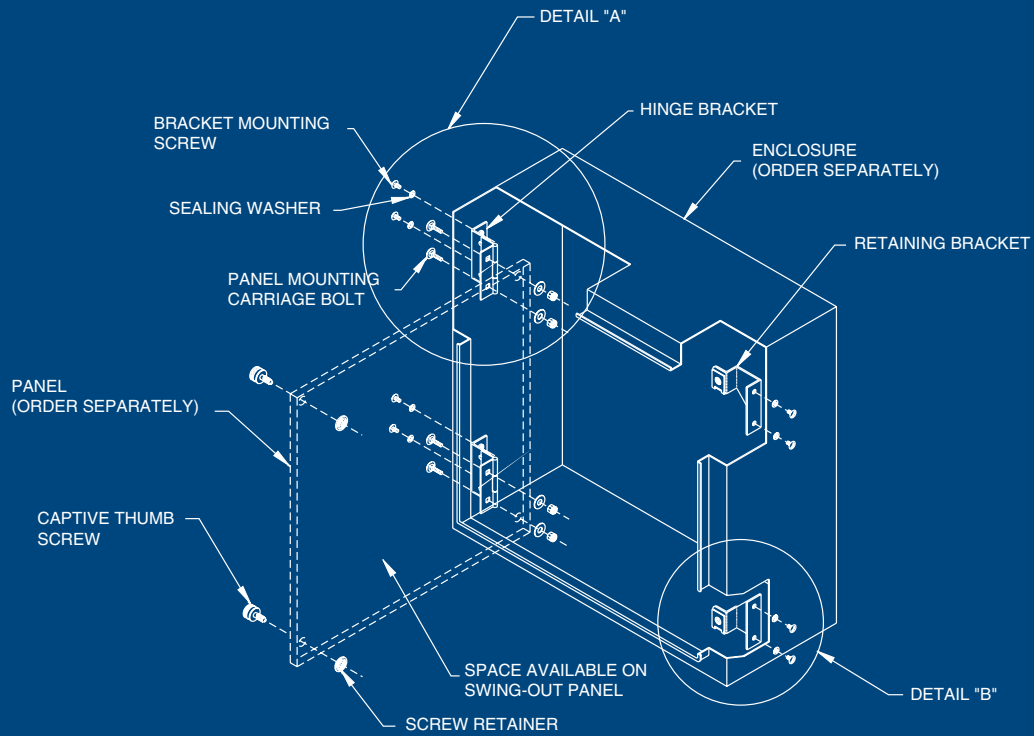
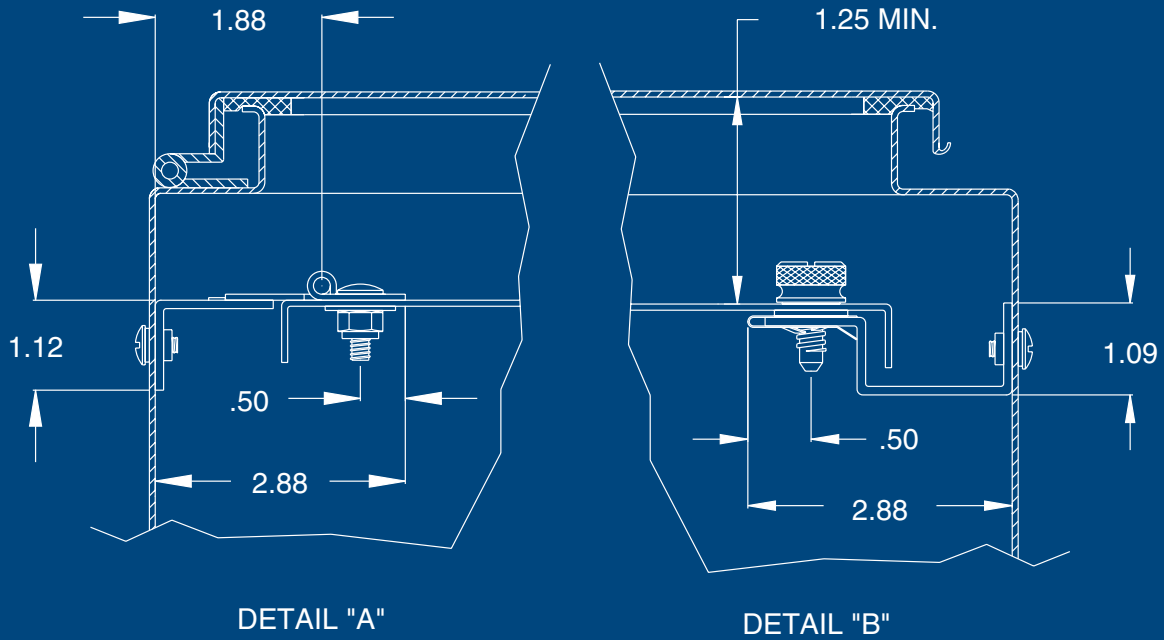
- All single door Type 4, 12, and 13 enclosures where A x B is 12 x 12 or larger.
- All "WL" Type 3R enclosures where A x B is 16 x 16 or larger.
- All "LM" Type 1 enclosures where A x B is 16 x 12 or larger.

Accessories

Catalog Number	Description
AB-NSOPK	NEMA Swing-Out Panel Kit

*Panels must be ordered separately.
*The maximum load on NEMA Panel Kit cannot exceed 100 pounds. The load includes the weight of the panel plus the weight of the added components, with the weight of the components spread evenly over the panel.

NEMA SWING-OUT PANEL KITS



Accessories