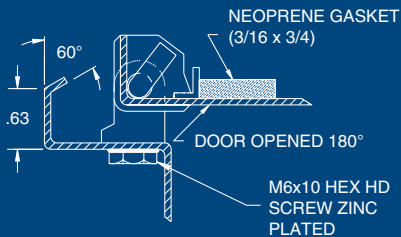


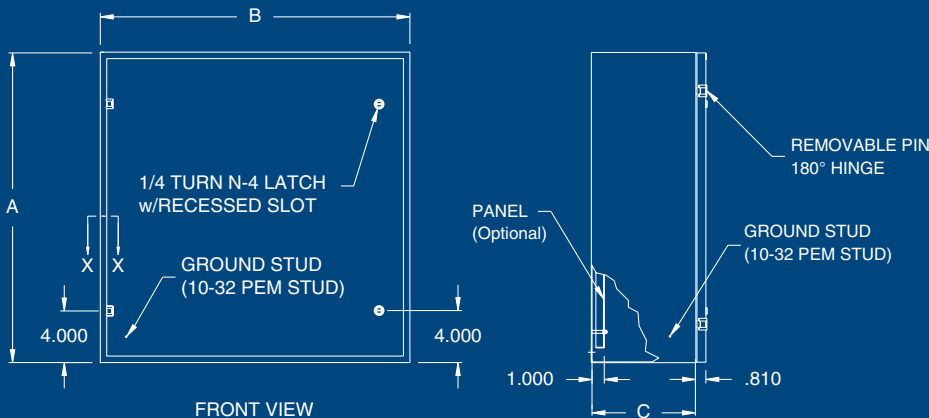
# NEMA 4, 12 STYLE-LINE ENCLOSURES

Type 4 & 12 Enclosures

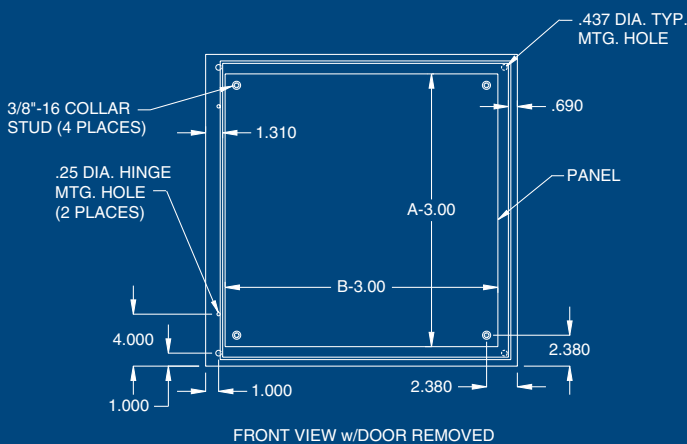
Austin Style-Line enclosures are Underwriters Laboratories Listed and are designed to provide a degree of protection against windblown dust and rain, splashing water, hose-directed water and damage from external ice formation.



SECTION X-X



FRONT VIEW



FRONT VIEW w/DOOR REMOVED

## Construction:

- Fabricated in accordance with UL specifications from UL approved gauge steel.
- Continuously welded seams ground smooth.
- Standard collar studs for mounting optional panel.
- Mounting holes in back of enclosure for direct mounting or for optional external mounting feet.
- Enclosure opening has a rolled lip to exclude liquids and contaminants.
- Doors can be easily removed by pulling captive hinge pins.
- Neoprene gasket attached to door with oil resistant adhesive.
- Grounding stud in body.
- Door stiffener and/or body stiffener required for larger sizes.
- Quarter turn latches for enclosures up through 36".
- Three-point latch on enclosures over 36".

**INDUSTRY  
STANDARDS**

UL 50 Types 4 & 12  
 UL 508 Types 4 & 12  
 CUL Types 4 & 12  
 NEMA Types 4 & 12

Austin Electrical Enclosures  
 Post Office Box 2320  
 Yadkinville, NC 27055

Phone: 336.468.2851  
 800.288.2851

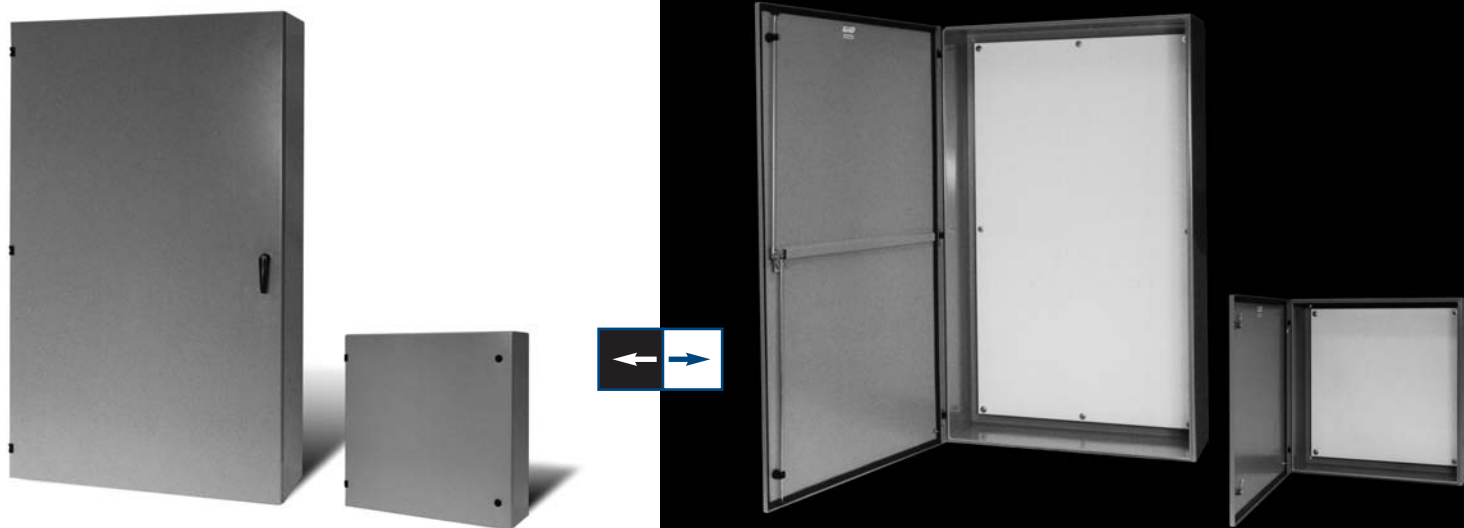
# NEMA 4, NEMA 12 STYLE-LINE ENCLOSURES

## Finish:

Austin Style-Line enclosures are provided standard with an ANSI 61 gray polyester powder coating inside and out. Stainless steel Style-Line enclosures are provided standard in Type 304 stainless steel. Optional panels are painted white.

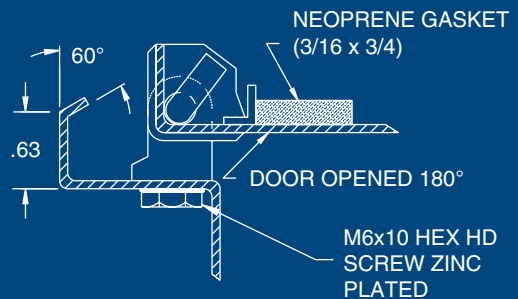
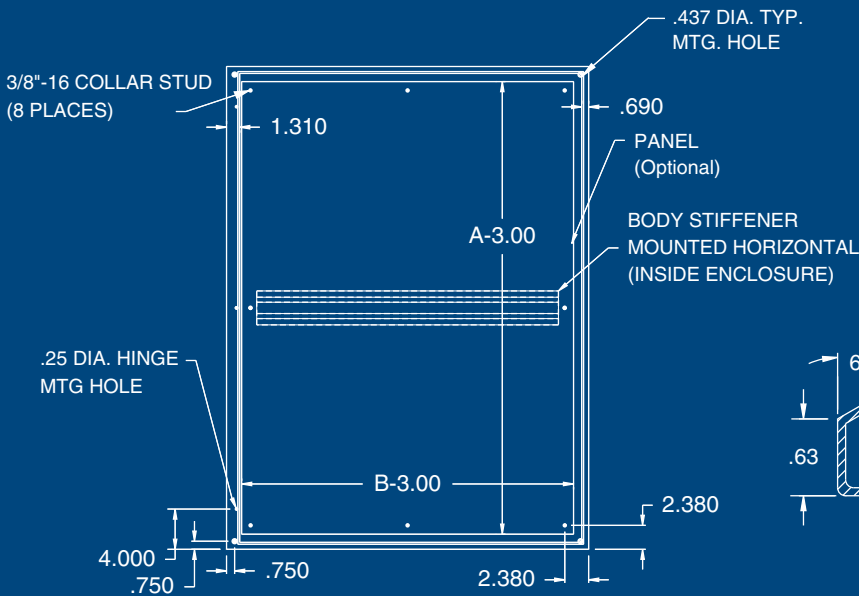
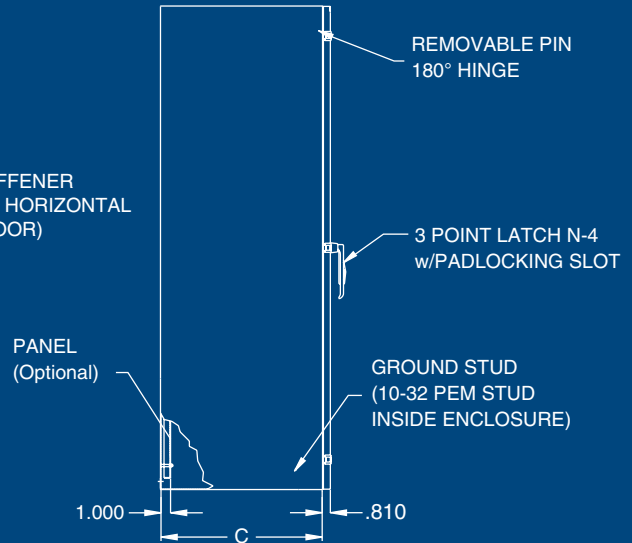
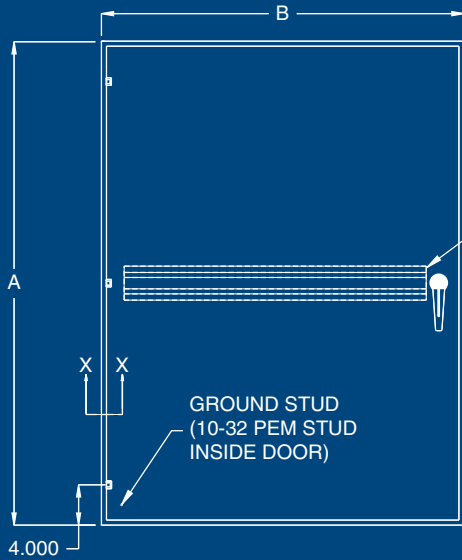
## Options:

- Special finishes.
- Handles or inserts



# NEMA 4, 12 STYLE-LINE ENCLOSURES

Type 4 & 12  
Enclosures



**INDUSTRY  
STANDARDS**

UL 50 Types 4 & 12  
UL 508 Types 4 & 12  
CUL Types 4 & 12  
NEMA Types 4 & 12

Austin Electrical Enclosures  
Post Office Box 2320  
Yadkinville, NC 27055

Phone: 336.468.2851  
800.288.2851

# NEMA 4, NEMA 12 STYLE-LINE ENCLOSURES

Catalog Number	Catalog Number Stainless Steel	Enclosure Size (AxBxC)	Weight	Panel Catalog Number	Door Stiffener	Body Stiffener	Hinge Qty.	Latch Qty.
AB-12126SL	AB-12126SLX	12x12x6	13	AB-1212TP	-	-	2	1
AB-16126SL	AB-16126SLX	16x12x6	16	AB-1612TP	-	-	2	1
AB-16166SL	AB-16166SLX	16x16x6	19	AB-1616TP	-	-	2	1
AB-20166SL	AB-20166SLX	20x16x6	23	AB-2016TP	-	-	2	1
AB-20206SL	AB-20206SLX	20x20x6	28	AB-2020TP	-	-	2	1
AB-16208SL	AB-16208SLX	16x20x8	26	AB-1620TP	-	-	2	1
AB-20168SL	AB-20168SLX	20x16x8	26	AB-2016TP	-	-	2	1
AB-20208SL	AB-20208SLX	20x20x8	31	AB-2020TP	-	-	2	1
AB-20248SL	AB-20248SLX	20x24x8	36	AB-2420TP	-	-	2	2
AB-24168SL	AB-24168SLX	24x16x8	31	AB-2416TP	-	-	2	2
AB-24208SL	AB-24208SLX	24x20x8	36	AB-2420TP	-	-	2	2
AB-24248SL	AB-24248SLX	24x24x8	42	AB-2424TP	-	-	2	2
AB-24308SL	AB-24308SLX	24x30x8	50	AB-3024TP	-	-	2	2
AB-30208SL	AB-30208SLX	30x20x8	43	AB-3020TP	-	-	2	2
AB-30248SL	AB-30248SLX	30x24x8	50	AB-3024TP	-	-	2	2
AB-30308SL	AB-30308SLX	30x30x8	60	AB-3030TP	-	1	2	2
AB-36248SL	AB-36248SLX	36x24x8	58	AB-3624TP	-	-	3	2
AB-36308SL	AB-36308SLX	36x30x8	70	AB-3630TP	-	1	3	2
AB-202012SL	AB-202012SLX	20x20x12	38	AB-2020TP	-	-	2	1
AB-242412SL	AB-242412SLX	24x24x12	50	AB-2424TP	-	-	2	2
AB-302412SL	AB-302412SLX	30x24x12	59	AB-3024TP	-	-	2	2
AB-363012SL	AB-363012SLX	36x30x12	81	AB-3630TP	-	1	3	2
AB-363612SL	AB-363612SLX	36x36x12	94	AB-3636TP	1	1	3	2
AB-402412SL	AB-402412SLX	40x24x12	75	AB-4024TP	-	-	3	3 pt.
AB-423612SL	AB-423612SLX	42x36x12	106	AB-4236TP	1	1	3	3 pt.
AB-482412SL	AB-482412SLX	48x24x12	88	AB-4824TP	1	-	3	3 pt.
AB-483612SL	AB-483612SLX	48x36x12	118	AB-4836TP	1	1	3	3 pt.
AB-602412SL	AB-602412SLX	60x24x12	106	AB-6024TP	1	-	3	3 pt.
AB-603612SL	AB-603612SLX	60x36x12	144	AB-6036TP	1	1	3	3 pt.
AB-242416SL	AB-242416SLX	24x24x16	58	AB-2424TP	-	-	2	2
AB-363016SL	AB-363016SLX	36x30x16	93	AB-3630TP	-	1	3	2
AB-483616SL	AB-483616SLX	48x36x16	133	AB-4836TP	1	1	3	3 pt.