

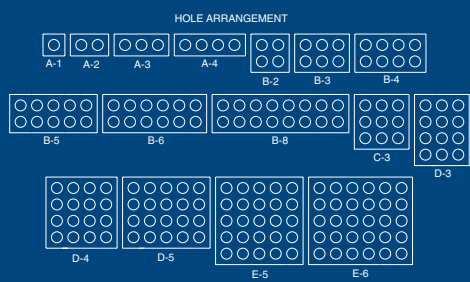
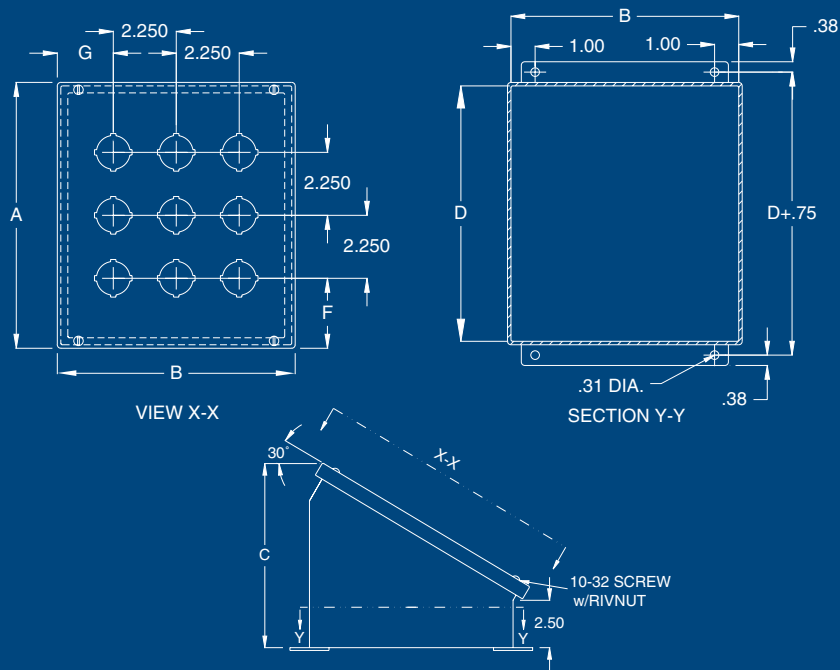
AUSTIN SLOPING PUSHBUTTON ENCLOSURES

Austin sloping pushbutton enclosures are Underwriters Laboratories Listed and are designed to house standard oiltight switches, pilot lights, and pushbutton switches where slanted control surfaces are desired. They provide a degree of protection against dust, dirt, oil, and water.

Construction:

- Fabricated from 14 gauge steel.
- Continuously welded seams ground smooth.
- Neoprene gasket attached to cover with oil resistant adhesive.
- Cover held in place by captivated screws threaded into sealed wells.
- External mounting feet.
- Standard “4-way” 30mm pushbutton holes.

Pushbutton Enclosures & Consoles



Finish:

Austin sloping pushbutton enclosures are provided standard with an ANSI 61 gray polyester powder coating.

Options:

- Special materials.
- Special finishes.
- “4-way” 22mm pushbutton holes.

INDUSTRY STANDARDS

UL 50 **Types 4, 12 & 13**
 NEMA **Types 4, 12 & 13**
 CUL **Types 4, 12 & 13**

Austin Electrical Enclosures
 Post Office Box 2320
 Yadkinville, NC 27055

Phone: 336.468.2851
 800.288.2851

AUSTIN SLOPING PUSHBUTTON ENCLOSURES

Catalog Number	Enclosure Size (AxBxC)	Holes	Hole Arrangement	Weight	"F"	"G"
AB-A1SPB	3 1/2x3 1/4x4 7/8	1	A-1	2	1 3/4	1 5/8
AB-A2SPB	3 1/2x5 1/2x4 7/8	2	A-2	3	1 3/4	1 5/8
AB-A3SPB	3 1/2x7 3/4x4 7/8	3	A-3	4	1 3/4	1 5/8
AB-A4SPB	3 1/2x10x4 7/8	4	A-4	5	1 3/4	1 5/8
AB-B2SPB	7 1/4x6 1/4x6 3/4	4	B-2	6	2 1/2	2
AB-B3SPB	7 1/4x8 1/2x6 3/4	6	B-3	7	2 1/2	2
AB-B4SPB	7 1/4x10 3/4x6 3/4	8	B-4	9	2 1/2	2
AB-B5SPB	7 1/4x13x6 3/4	10	B-5	10	2 1/2	2
AB-B6SPB	7 1/4x15 1/4x6 3/4	12	B-6	11	2 1/2	2
AB-B8SPB	7 1/4x19 3/4x6 3/4	16	B-8	12	2 1/2	2
AB-C3SPB	9 1/2x8 1/2x7 7/8	9	C-3	9	2 1/2	2
AB-D3SPB	11 3/4x8 1/2x9	12	D-3	11	2 1/2	2
AB-D4SPB	11 3/4x10 3/4x9	16	D-4	13	2 1/2	2
AB-D5SPB	11 3/4x13x9	20	D-5	14	2 1/2	2
AB-E5SPB	14x13x10 1/8	25	E-5	17	2 1/2	2
AB-E6SPB	14x15 1/4x10 1/8	30	E-6	19	2 1/2	2

Pushbutton
Enclosures &
Consoles

