

NEMA 12 DOUBLE DOOR WALL MOUNT ENCLOSURES

Type 4 & 12 Enclosures

Austin double door NEMA 12 wall mount enclosures are Underwriters Laboratories Listed and are designed to house electrical controls, instruments, and components. They provide a degree of protection against circulating dust, falling dirt, and noncorrosive liquids.

Construction:

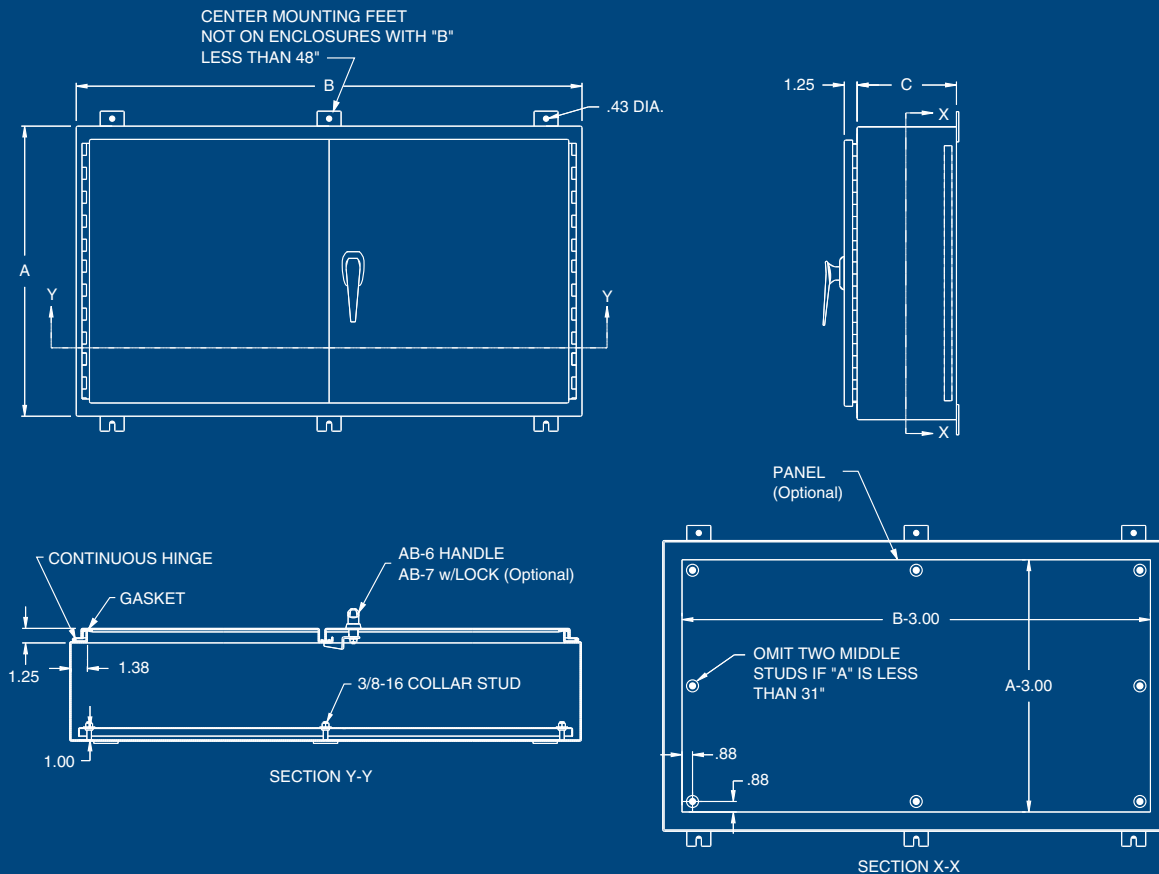
- Fabricated in accordance with UL specifications from code gauge steel.
- Continuously welded seams ground smooth.
- An AB-6 three point lever handle with roller arms holds doors securely.
- Neoprene gasket attached to door with oil resistant adhesive.
- Overlapping doors eliminate need for centerpost.
- Heavy gauge continuous hinge.
- Standard plastic self-adhesive print pocket.
- External mounting feet.
- Standard collar studs for mounting optional panel.

Finish:

Austin double door NEMA 12 wall mount enclosures are provided standard with an ANSI 61 gray polyester powder coating. Optional panels are painted white.

Options:

- Special materials.
- Special finishes.
- Custom box size or construction.



**INDUSTRY
STANDARDS**

UL 50 Type 12
UL 508 Type 12
NEMA Type 12
CUL Type 12

Austin Electrical Enclosures
Post Office Box 2320
Yadkinville, NC 27055

Phone: 336.468.2851
800.288.2851

NEMA 12 DOUBLE DOOR WALL MOUNT ENCLOSURES

Type 4 & 12
Enclosures

Catalog Number	Enclosure Size (AxBxC)	Weight	Panel Catalog Number
AB-24428WDN	24x42x8	67	AB-4224TP
AB-24488WDN	24x48x8	75	AB-4824TP
AB-304210WDN	30x42x10	103	AB-4230TP
AB-304810WDN	30x48x10	116	AB-4830TP
AB-306010WDN	30x60x10	141	AB-6030TP
AB-364212WDN	36x42x12	128	AB-4236TP
AB-364812WDN	36x48x12	166	AB-4836TP
AB-366012WDN	36x60x12	201	AB-6036TP
AB-426012WDN	42x60x12	228	AB-6042TP

