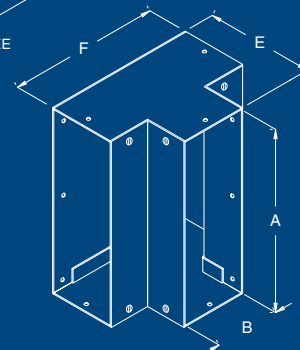
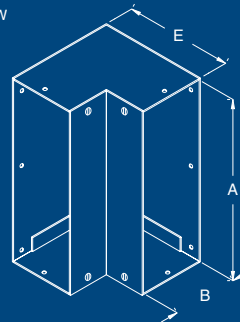
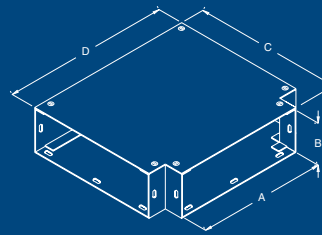
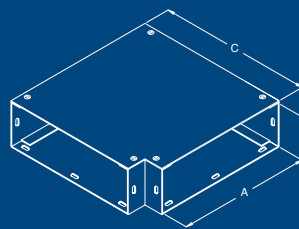
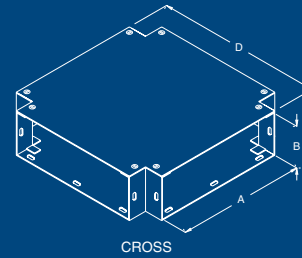
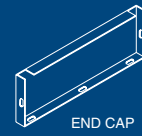
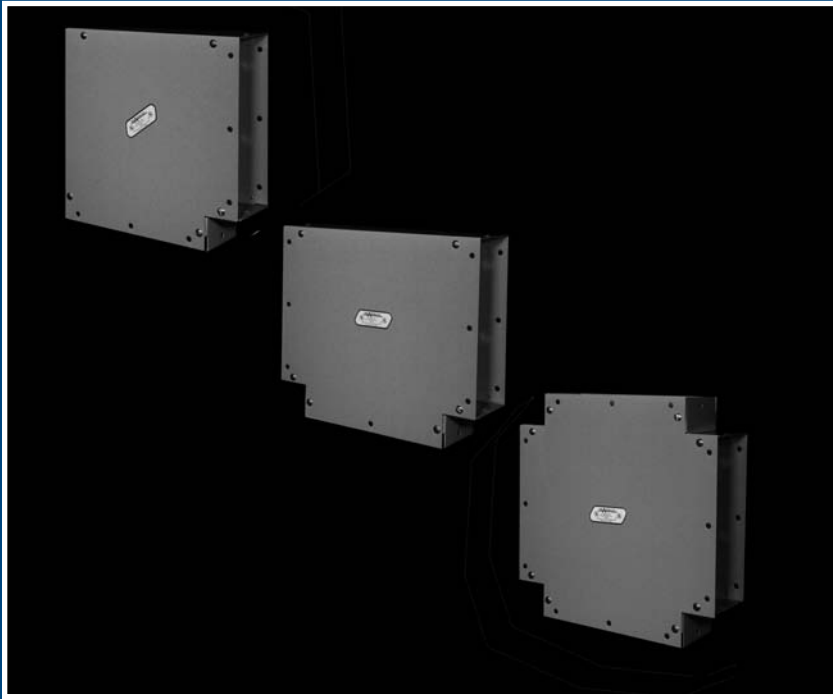


NEMA 1 X-RAY DUCT EQUIPMENT FITTINGS



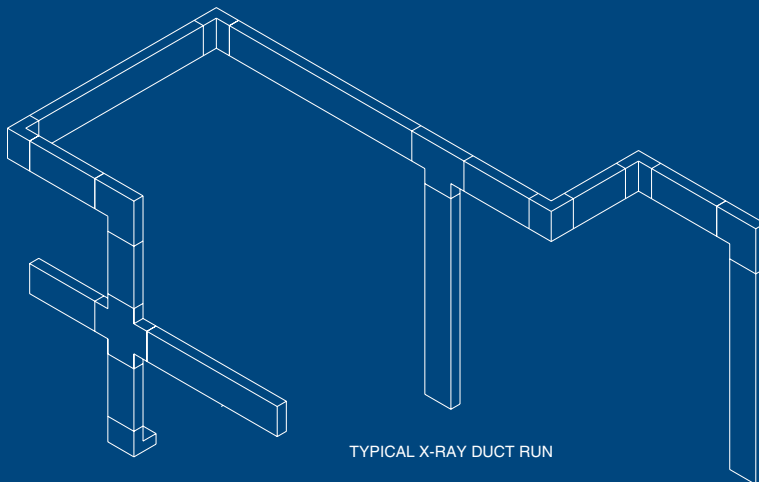
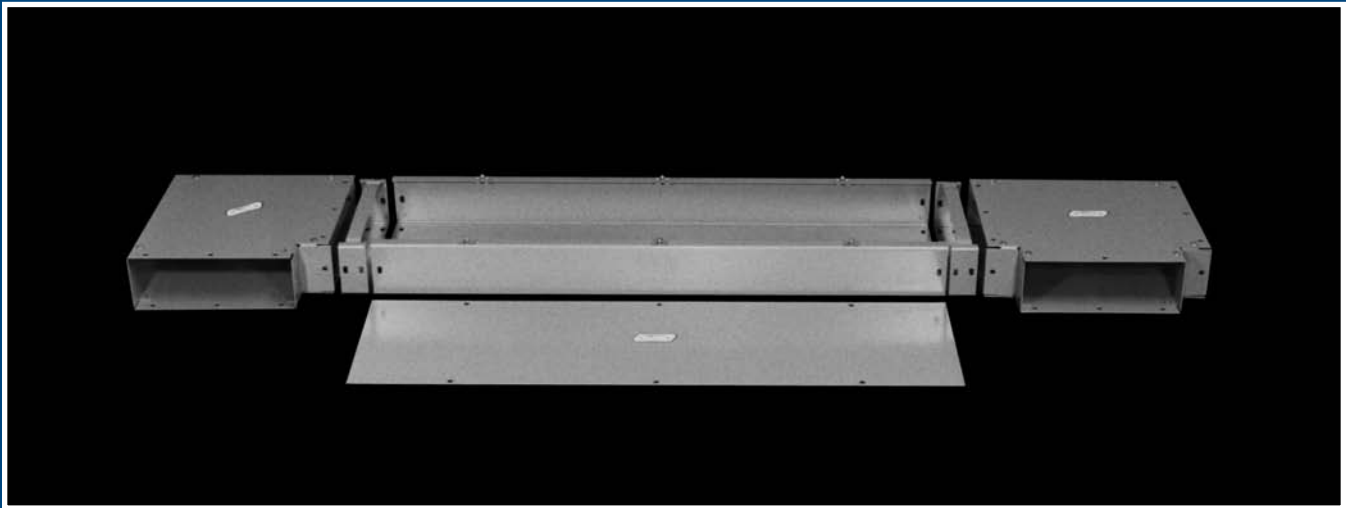
Wireway Size	A	B	C	D	E	F
10x3 1/2	10	3 1/2	12	14	6	8 1/2
18x3 1/2	18	3 1/2	20	22	6	8 1/2

Wireways
& Trough
Products

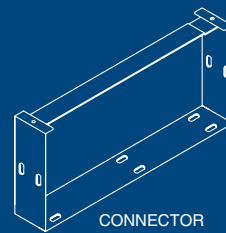
Austin Electrical Enclosures
Post Office Box 2320
Yadkinville, NC 27055

Phone: 336.468.2851
800.288.2851

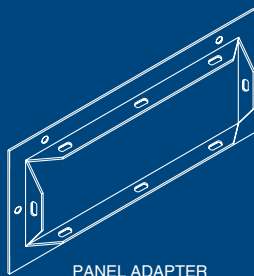
NEMA 1 X-RAY DUCT EQUIPMENT FITTINGS



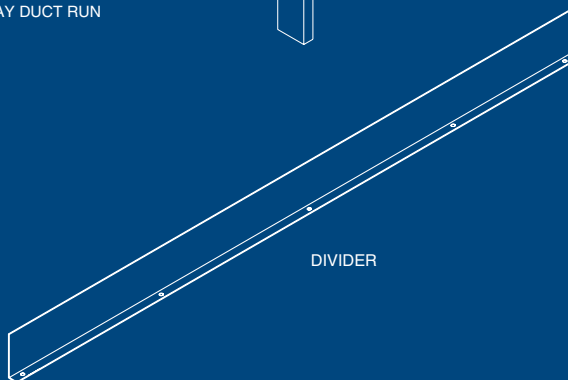
TYPICAL X-RAY DUCT RUN



CONNECTOR



PANEL ADAPTER



DIVIDER

Wireways
& Trough
Products