

AUSTIN STANDARD PUSHBUTTON ENCLOSURES

Austin standard pushbutton enclosures are Underwriters Laboratories Listed and are designed to house standard oiltight switches, pilot lights, and pushbutton switches. They provide a degree of protection against dust, dirt, oil, and water.

Construction:

- Fabricated from 14 gauge steel.
- Continuously welded seams ground smooth.
- Neoprene gasket attached to cover with oil resistant adhesive.
- Cover held in place by captivated screws threaded into sealed wells.
- External mounting feet.
- Standard “4-way” 30mm pushbutton holes.

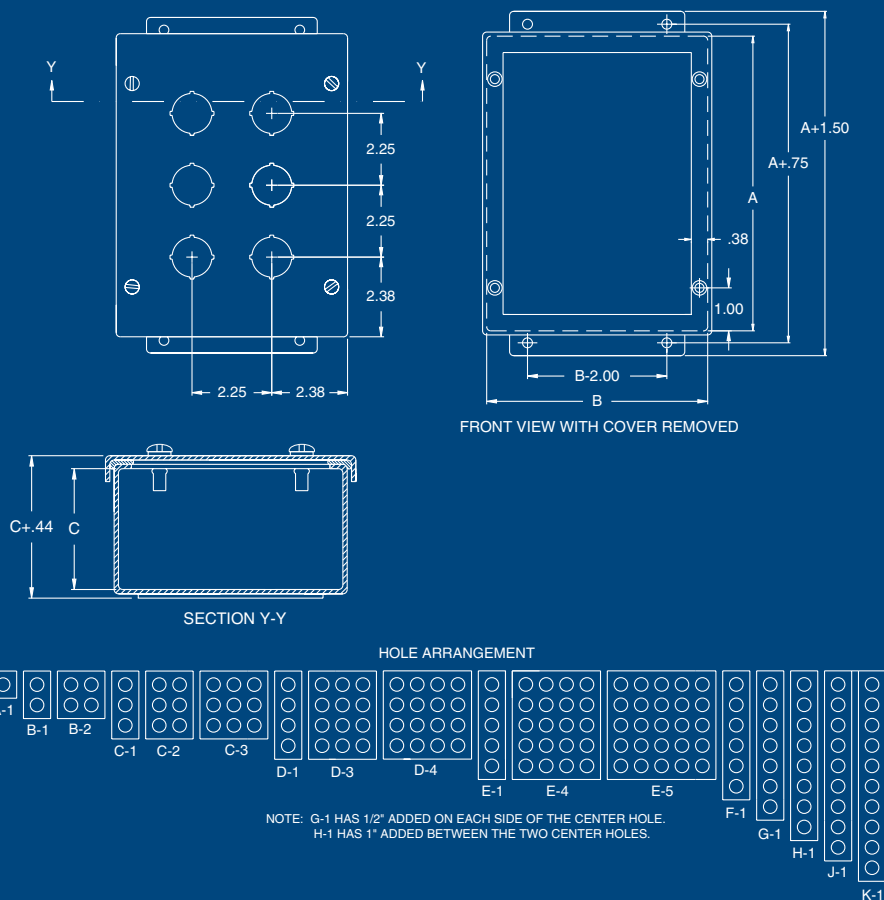
Finish:

Austin standard pushbutton enclosures are provided standard with an ANSI 61 gray polyester powder coating.

Options:

- Special materials.
- Special finishes.
- Custom box size or construction.
- “4-way” 22mm pushbutton holes.

Pushbutton Enclosures & Consoles



**INDUSTRY
STANDARDS**

UL 50 **Types 4, 12 & 13**
 NEMA **Types 4, 12 & 13**
 CUL **Types 4, 12 & 13**

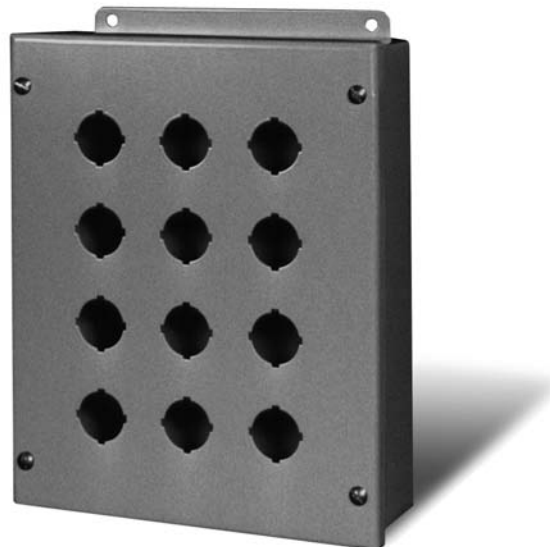
Austin Electrical Enclosures
 Post Office Box 2320
 Yadkinville, NC 27055

Phone: 336.468.2851
 800.288.2851

AUSTIN STANDARD PUSHBUTTON ENCLOSURES

					Blank Cover		
Catalog Number	Enclosure Size (AxBxC)	Holes	Hole Arrangement	Weight	Catalog Number	Enclosure Size (AxBxC)	Weight
AB-A1NPB	3 1/2x3 1/2x3	1	A-1	2	AB-A1NBPB	3 1/2x3 1/2x3	2
AB-B1NPB	6 3/4x3 1/2x3	2	B-1	2	AB-B1NBPB	6 3/4x3 1/2x3	2
AB-B2NPB	6 3/4x6 3/4x3	4	B-2	4	AB-B2NBPB	6 3/4x6 3/4x3	4
AB-C1NPB	9x3 1/2x3	3	C-1	3	AB-C1NBPB	9x3 1/2x3	3
AB-C2NPB	9x6 3/4x3	6	C-2	5	AB-C2NBPB	9x6 3/4x3	5
AB-C3NPB	9x9x3	9	C-3	7	AB-C3NBPB	9x9x3	7
AB-D1NPB	11 1/4x3 1/2x3	4	D-1	4	AB-D1NBPB	11 1/4x3 1/2x3	4
AB-D3NPB	11 1/4x9x3	12	D-3	8	AB-D3NBPB	11 1/4x9x3	8
AB-D4NPB	11 1/4x11 1/4x3	16	D-4	9	AB-D4NBPB	11 1/4x11 1/4x3	9
AB-E1NPB	13 1/2x3 1/2x3	5	E-1	5	AB-E1NBPB	13 1/2x3 1/2x3	5
AB-E4NPB	13 1/2x11 1/4x3	20	E-4	11	AB-E4NBPB	13 1/2x11 1/4x3	11
AB-E5NPB	13 1/2x13 1/2x3	25	E-5	13	AB-E5NBPB	13 1/2x13 1/2x3	13
AB-F1NPB	15 3/4x3 1/2x3	6	F-1	6	AB-F1NBPB	15 3/4x3 1/2x3	6
AB-G1NPB	19x3 1/2x3	7	G-1	6	AB-G1NBPB	19x3 1/2x3	6
AB-H1NPB	21 1/4x3 1/2x3	8	H-1	8	AB-H1NBPB	21 1/4x3 1/2x3	8
AB-J1NPB	23 1/2x3 1/2x3	9	J-1	8	AB-J1NBPB	23 1/2x3 1/2x3	8
AB-K1NPB	25 3/4x3 1/2x3	10	K-1	8	AB-K1NBPB	25 3/4x3 1/2x3	8

Pushbutton
Enclosures &
Consoles



AUSTIN EXTRA DEEP PUSHBUTTON ENCLOSURES

Austin extra deep pushbutton enclosures are Underwriters Laboratories Listed and are designed to house standard oiltight switches, pilot lights, and stacked pushbutton units. They provide a degree of protection against dust, dirt, oil, and water.

Construction:

- Fabricated from 14 gauge steel.
- Continuously welded seams ground smooth.
- Neoprene gasket attached to cover with oil resistant adhesive.
- Cover held in place by captivated screws threaded into sealed wells.
- External mounting feet.
- Standard “4-way” 30mm pushbutton holes.

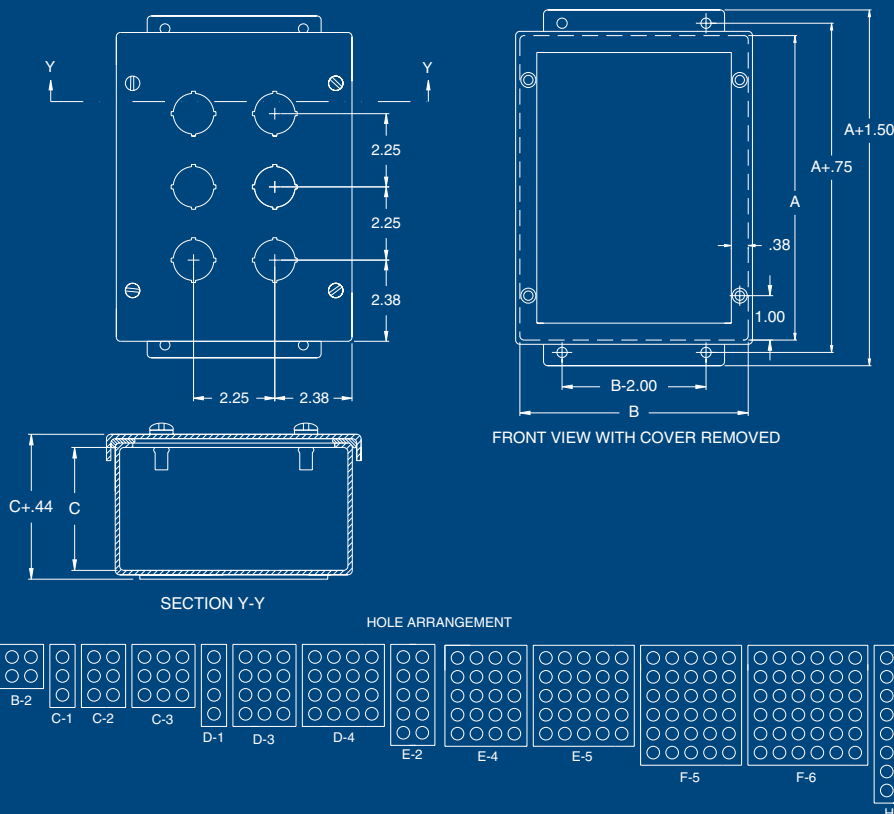
Finish:

Austin extra deep pushbutton enclosures are provided standard with an ANSI 61 gray polyester powder coating.

Options:

- Special materials.
- Special finishes.
- Custom box size or construction.
- “4-way” 22mm pushbutton holes.

Pushbutton Enclosures & Consoles



INDUSTRY STANDARDS

UL 50 **Types 4, 12 & 13**
 NEMA **Types 4, 12 & 13**
 CUL **Types 4, 12 & 13**

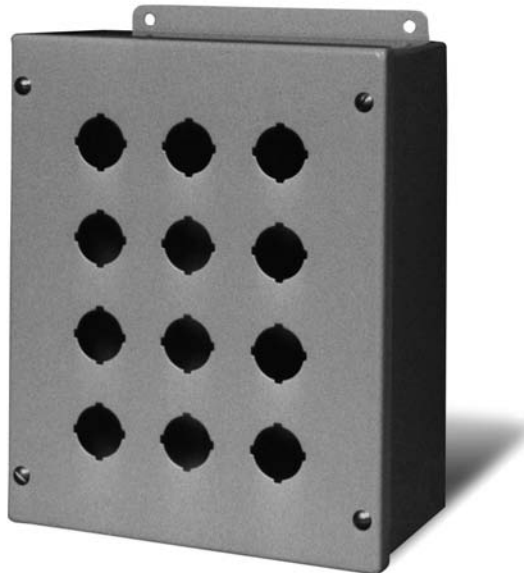
Austin Electrical Enclosures
 Post Office Box 2320
 Yadkinville, NC 27055

Phone: 336.468.2851
 800.288.2851

AUSTIN EXTRA DEEP PUSHBUTTON ENCLOSURES

Blank Cover							
Catalog Number	Enclosure Size (AxBxC)	Holes	Hole Arrangement	Weight	Catalog Number	Enclosure Size (AxBxC)	Weight
AB-A1DPB	3 1/2x3 1/2x4 1/2	1	A-1	3	AB-A1DBPB	3 1/2x3 1/2x4 1/2	3
AB-B1DPB	6 3/4x3 1/2x4 1/2	2	B-1	3	AB-B1DBPB	6 3/4x3 1/2x4 1/2	3
AB-B2DPB	6 3/4x6 3/4x4 1/2	4	B-2	6	AB-B2DBPB	6 3/4x6 3/4x4 1/2	6
AB-C1DPB	9x3 1/2x4 1/2	3	C-1	4	AB-C1DBPB	9x3 1/2x4 1/2	4
AB-C2DPB	9x6 3/4x4 1/2	6	C-2	6	AB-C2DBPB	9x6 3/4x4 1/2	6
AB-C3DPB	9x9x4 1/2	9	C-3	8	AB-C3DBPB	9x9x4 1/2	8
AB-D1DPB	11 1/4x3 1/2x4 1/2	4	D-1	5	AB-D1DBPB	11 1/4x3 1/2x4 1/2	5
AB-D3DPB	11 1/4x9x4 1/2	12	D-3	9	AB-D3DBPB	11 1/4x9x4 1/2	9
AB-D4DPB	11 1/4x11 1/4x4 1/2	16	D-4	10	AB-D4DBPB	11 1/4x11 1/4x4 1/2	10
AB-E2DPB	13 1/2x6 3/4x4 1/2	10	E-2	9	AB-E2DBPB	13 1/2x6 3/4x4 1/2	9
AB-E4DPB	13 1/2x11 1/4x4 1/2	20	E-4	13	AB-E4DBPB	13 1/2x11 1/4x4 1/2	13
AB-E5DPB	13 1/2x13 1/2x4 1/2	25	E-5	15	AB-E5DBPB	13 1/2x13 1/2x4 1/2	15
AB-F5DPB	15 3/4x13 1/2x4 1/2	30	F-5	17	AB-F5DBPB	15 3/4x13 1/2x4 1/2	17
AB-F6DPB	15 3/4x15 3/4x4 1/2	36	F-6	21	AB-F6DBPB	15 3/4x15 3/4x4 1/2	21
AB-H2DPB	20 1/4x6 3/4x4 1/2	16	H-2	10	AB-H2DBPB	20 1/4x6 3/4x4 1/2	10

Pushbutton
Enclosures &
Consoles



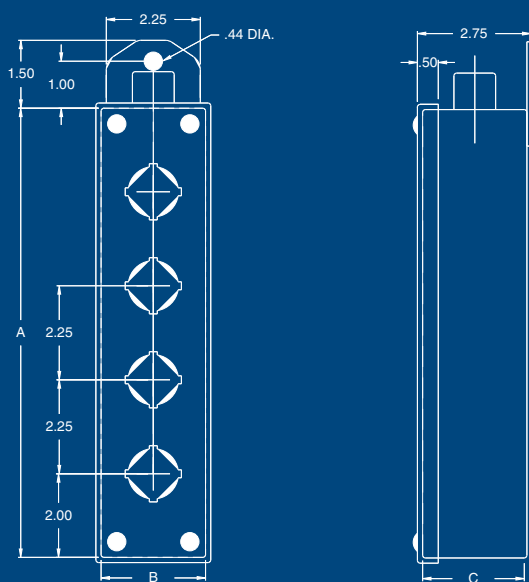
AUSTIN PENDANT PUSHBUTTON ENCLOSURES

Austin pendant pushbutton enclosures are Underwriters Laboratories Listed and are designed to house standard oiltight switches, pilot lights, and pushbutton switches. They provide a degree of protection against dust, dirt, oil, and water.

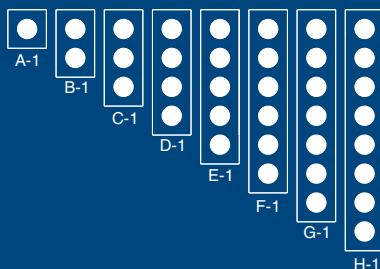
Construction:

- Fabricated from 14 gauge steel.
- Has hub and hanger bracket at top for overhead wiring and support.
- Continuously welded and ground smooth.
- Cover held in place by captivated screws threaded into sealed wells.
- Neoprene gasket attached to cover with oil resistant adhesive.
- Standard “4-way” 30mm pushbutton holes.

Pushbutton Enclosures & Consoles



HOLE ARRANGEMENT



Note: G-1 has .5” added on each side of center hole.
H-1 has 1” added between the two center holes.

Finish:

Austin pendant pushbutton enclosures are provided standard with as ANSI 61 gray polyester powder coating.

Options:

- Special materials.
- Special finishes.
- Custom box size or construction.
- “4-way” 22mm pushbutton holes.

INDUSTRY STANDARDS

UL 50 **Types 4, 12 & 13**
NEMA **Types 4, 12 & 13**
CUL **Types 4, 12 & 13**

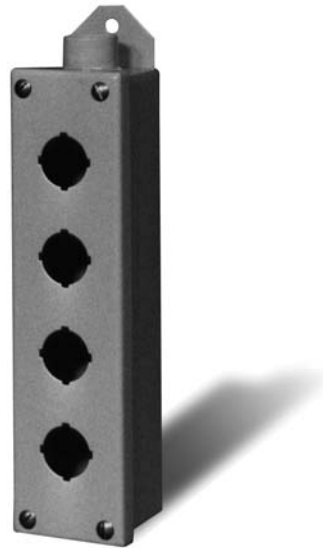
Austin Electrical Enclosures
Post Office Box 2320
Yadkinville, NC 27055

Phone: 336.468.2851
800.288.2851

AUSTIN PENDANT PUSHBUTTON ENCLOSURES

Catalog Number	Enclosure Size (AxBxC)	Holes	Hole Arrangement	Weight	"A" Dimension	Conduit Hub
AB-A1PPB	3 7/8x2 1/2x2 3/8	1	A-1	2	4	1/2
AB-B1PPB	6 1/8x2 1/2x2 3/8	2	B-1	2	6 1/4	3/4
AB-C1PPB	8 3/8x2 1/2x2 3/8	3	C-1	3	8 1/2	3/4
AB-D1PPB	10 5/8x2 1/2x2 3/8	4	D-1	3	10 3/4	3/4
AB-E1PPB	12 7/8x2 1/2x2 3/8	5	E-1	4	13	1
AB-F1PPB	15 1/8x2 1/2x2 3/8	6	F-1	4	15 1/4	1
AB-G1PPB	18 3/8x2 1/2x2 3/8	7	G-1	5	18 1/2	1
AB-H1PPB	20 5/8x2 1/2x2 3/8	8	H-1	5	20 3/4	1 1/4

Pushbutton
Enclosures &
Consoles

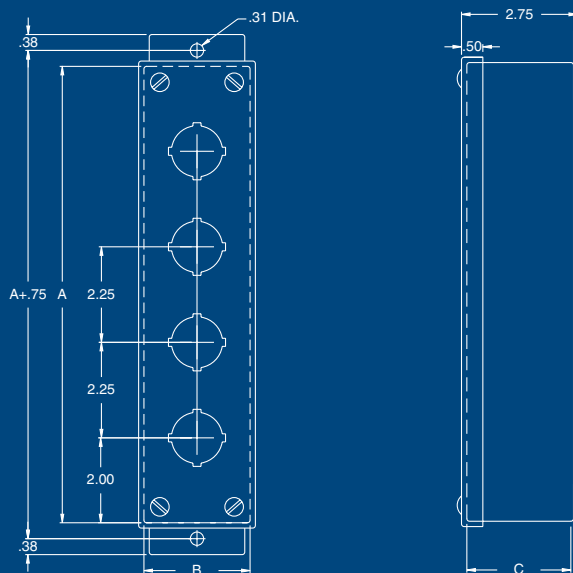


AUSTIN SLIM-LINE PUSHBUTTON ENCLOSURES

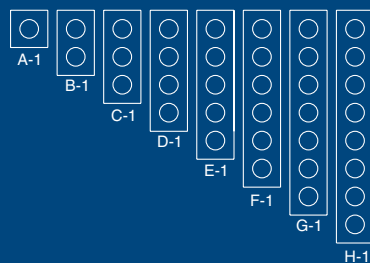
Austin slim-line pushbutton enclosures are Underwriters Laboratories Listed and are designed to house oiltight switches, pilot lights, and pushbutton switches where space is limited. They provide a degree of protection from dust, dirt, oil, and water.

Construction:

- Fabricated from 14 gauge steel.
- Cover is held in place by captivated screws threaded into sealed wells.
- Continuously welded seams and ground smooth.
- Neoprene gasket attached to cover with oil resistant adhesive.
- External mounting feet.
- Standard "4-way" 30mm pushbutton holes.



HOLE ARRANGEMENT



Note: G-1 has .5" added on each side of center hole.
H-1 has 1" added between the two center holes.

Finish:

Austin slim-line pushbutton enclosures are provided standard with as ANSI 61 gray polyester powder coating.

Options:

- Special materials.
- Special finishes.
- Custom box size or construction.
- "4-way" 22mm pushbutton holes.

Pushbutton Enclosures & Consoles

INDUSTRY STANDARDS

UL 50 **Types 4, 12 & 13**
NEMA **Types 4, 12 & 13**
CUL **Types 4, 12 & 13**

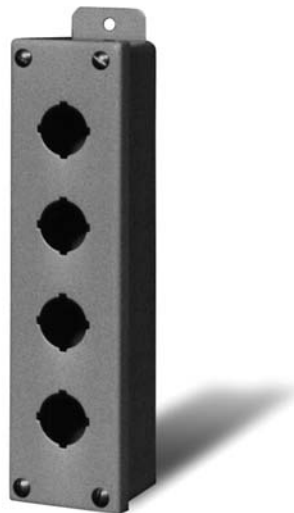
Austin Electrical Enclosures
Post Office Box 2320
Yadkinville, NC 27055

Phone: 336.468.2851
800.288.2851

AUSTIN SLIM-LINE PUSHBUTTON ENCLOSURES

Catalog Number	Enclosure Size (AxBxC)	Holes	Hole Arrangement	Weight
AB-A1MPB	3 7/8x2 1/2x2 3/8	1	A-1	1
AB-B1MPB	6 1/8x2 1/2x2 3/8	2	B-1	2
AB-C1MPB	8 3/8x2 1/2x2 3/8	3	C-1	2
AB-D1MPB	10 5/8x2 1/2x2 3/8	4	D-1	3
AB-E1MPB	12 7/8x2 1/2x2 3/8	5	E-1	3
AB-F1MPB	15 1/8x2 1/2x2 3/8	6	F-1	4
AB-G1MPB	18 3/8x2 1/2x2 3/8	7	G-1	4
AB-H1MPB	20 5/8x2 1/2x2 3/8	8	H-1	8

Pushbutton
Enclosures &
Consoles



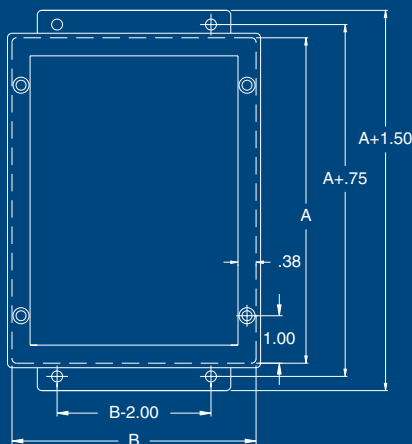
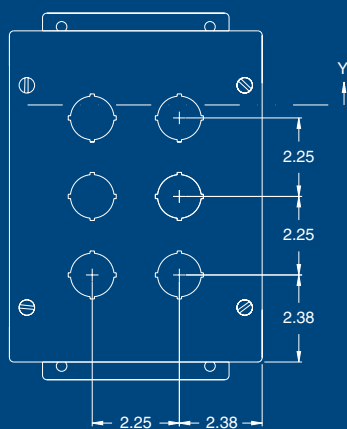
AUSTIN NEMA 4X PUSHBUTTON ENCLOSURES

Austin NEMA 4X pushbutton enclosures are Underwriters Laboratories Listed and are designed to house oiltight switches, pilot lights, and pushbutton switches. They provide a degree of protection against corrosion, windblown dust and rain, splashing water, hose directed water, and damage from external ice formation. They are also designed for use in areas where corrosion is a serious problem.

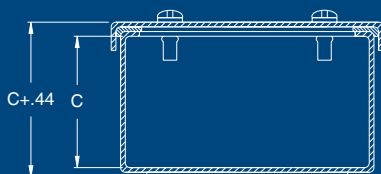
Construction:

- Fabricated from 14 gauge Type 304 steel.
- Cover is held in place by captivated screws threaded into sealed wells.
- Continuously welded seams and ground smooth.
- Neoprene gasket attached to cover with oil resistant adhesive.
- External mounting feet.
- Standard “4-way” 30mm pushbutton holes.

Pushbutton Enclosures & Consoles

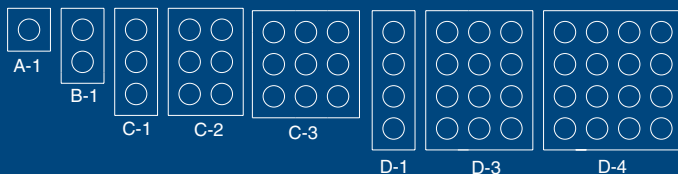


FRONT VIEW WITH COVER REMOVED



SECTION Y-Y

HOLE ARRANGEMENT



Finish:

Austin NEMA 4X pushbutton enclosures are provided standard in Type 304 stainless steel.

Options:

- Type 316 stainless steel.
- Custom box size or construction.
- “4-way” 22mm pushbutton holes.

INDUSTRY STANDARDS

UL 50 **Types 4, 12 & 13**
 NEMA **Types 4, 12 & 13**
 CUL **Types 4, 12 & 13**

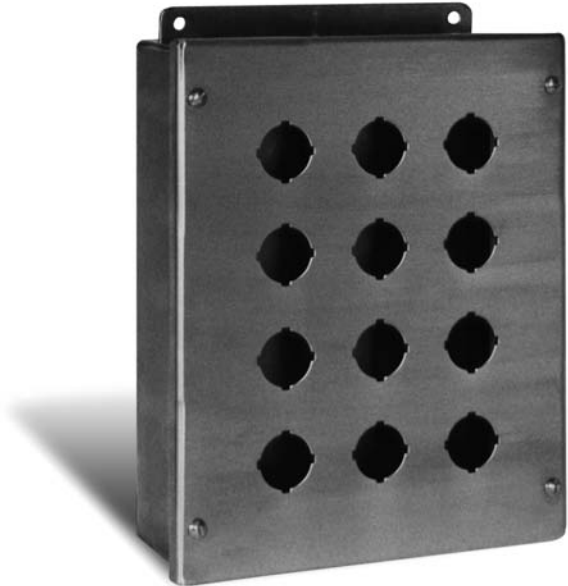
Austin Electrical Enclosures
 Post Office Box 2320
 Yadkinville, NC 27055

Phone: 336.468.2851
 800.288.2851

AUSTIN NEMA 4X PUSHBUTTON ENCLOSURES

Catalog Number	Enclosure Size (AxBxC)	Holes	Hole Arrangement	Weight
AB-A1FPB	3 1/2x3 1/2x3	1	A-1	2
AB-B1FPB	6 3/4x3 1/2x3	2	B-1	2
AB-C1FPB	9x3 1/2x3	3	C-1	3
AB-C2FPB	9x6 3/4x3	6	C-2	6
AB-C3FPB	9x9x3	9	C-3	7
AB-D1FPB	11 1/4x3 1/2x3	4	D-1	4
AB-D3FPB	11 1/4x9x3	12	D-3	8
AB-D4FPB	11 1/4x11 1/4x3	16	D-4	10

Pushbutton Enclosures & Consoles



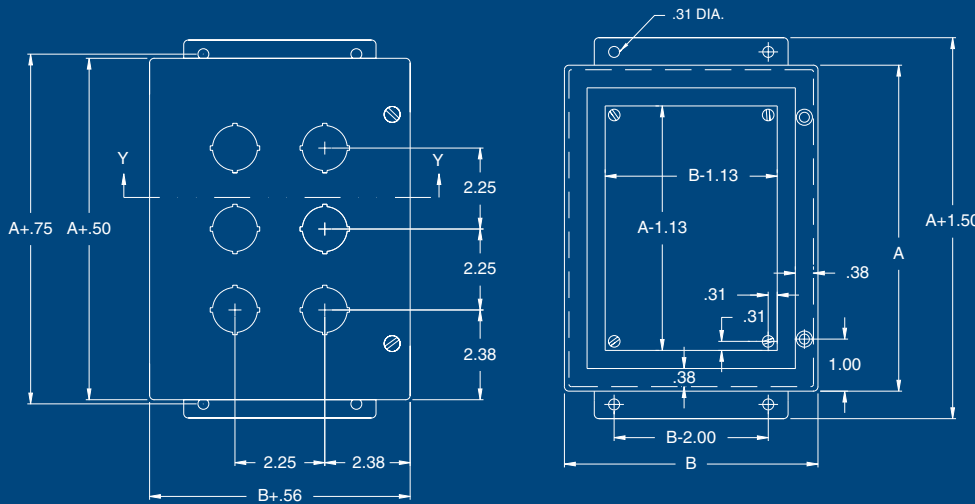
AUSTIN EXTRA LARGE HINGE COVER PUSH BUTTON ENCLOSURES WITH BACK

Austin extra large hinge cover oiltight pushbutton enclosures are Underwriters Laboratories Listed and are designed to house oiltight switches, pilot lights, and pushbutton switches. They provide a degree of protection against dust, dirt, oil, and water.

Construction:

- Fabricated from 14 gauge steel.
- Cover held in place by captivated screws threaded into sealed wells and a continuous hinge.
- Continuously welded seams ground smooth.
- Neoprene gasket attached to cover with oil resistant adhesive.
- Standard back panel.
- External mounting feet.
- Standard "4-way" 30mm pushbutton holes.

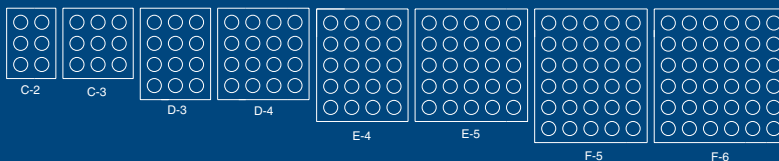
Pushbutton Enclosures & Consoles



FRONT VIEW WITH NO COVER AND NO HINGE

SECTION Y-Y

HOLE ARRANGEMENT



Finish:

Austin hinge cover oiltight pushbutton enclosures are provided standard with an ANSI 61 gray polyester powder coating. Back panels are painted white.

Options:

- Special materials.
- Special finishes.
- Custom box size or construction.
- "4-way" 22mm pushbutton holes.

**INDUSTRY
STANDARDS**

UL 50 **Type 12 & 13**
NEMA **Type 12 & 13**
CUL **Type 12 & 13**

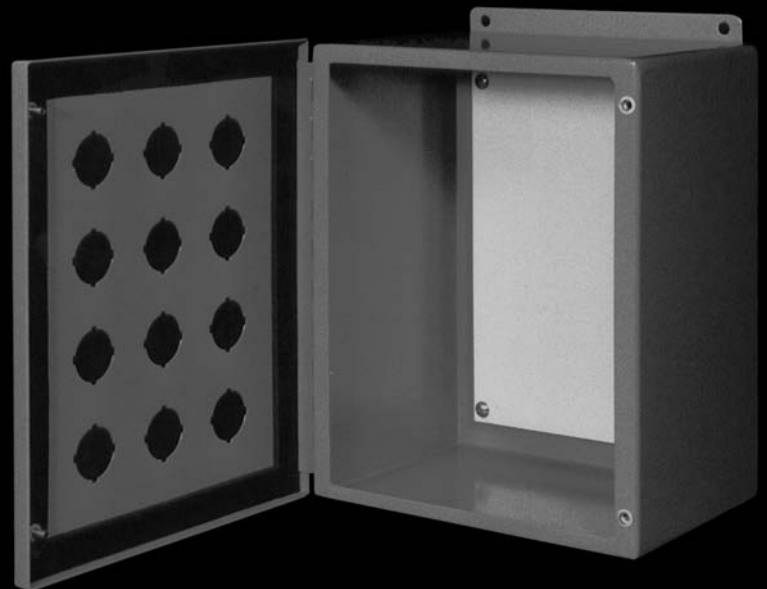
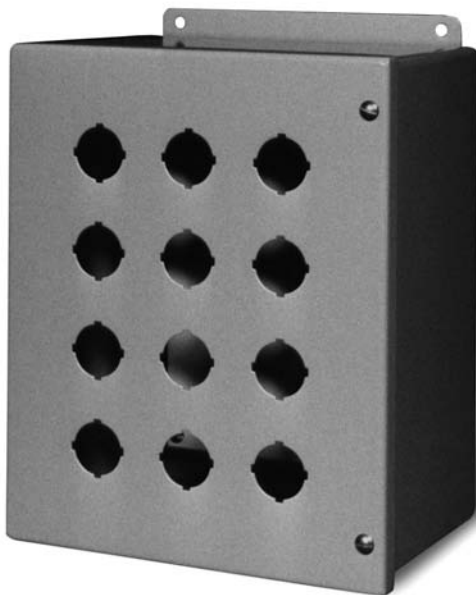
Austin Electrical Enclosures
Post Office Box 2320
Yadkinville, NC 27055

Phone: 336.468.2851
800.288.2851

AUSTIN EXTRA LARGE HINGE COVER PUSHBUTTON ENCLOSURES WITH BACK

Catalog Number	Enclosure Size (AxBxC)	Holes	Hole Arrangement	Weight
AB-C2XPB	9x6 3/4x6 1/4	6	C-2	10
AB-C3XPB	9x9x6 1/4	9	C-3	11
AB-D3XPB	11 1/4x9x6 1/4	12	D-3	15
AB-D4XPB	11 1/4x11 1/4x6 1/4	16	D-4	17
AB-E4XPB	13 1/2x11 1/4x6 1/4	20	E-4	19
AB-E5XPB	13 1/2x13 1/2x6 1/4	25	E-5	22
AB-F5XPB	15 3/4x13 1/2x6 1/4	30	F-5	23
AB-F6XPB	15 3/4x15 3/4x6 1/4	36	F-6	27

Pushbutton
Enclosures &
Consoles



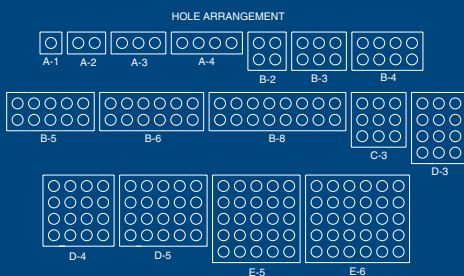
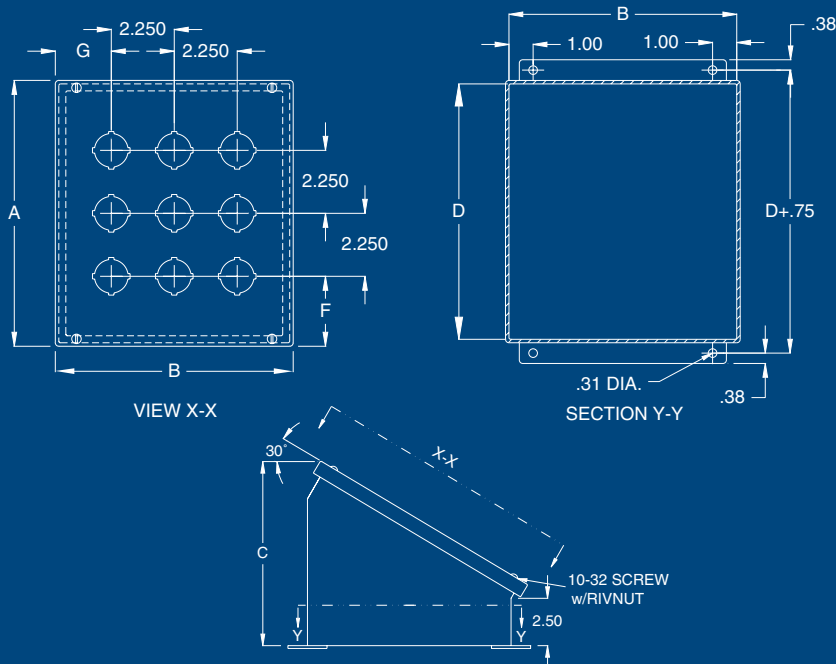
AUSTIN SLOPING PUSHBUTTON ENCLOSURES

Austin sloping pushbutton enclosures are Underwriters Laboratories Listed and are designed to house standard oiltight switches, pilot lights, and pushbutton switches where slanted control surfaces are desired. They provide a degree of protection against dust, dirt, oil, and water.

Construction:

- Fabricated from 14 gauge steel.
- Continuously welded seams ground smooth.
- Neoprene gasket attached to cover with oil resistant adhesive.
- Cover held in place by captivated screws threaded into sealed wells.
- External mounting feet.
- Standard “4-way” 30mm pushbutton holes.

Pushbutton
Enclosures &
Consoles



Finish:

Austin sloping pushbutton enclosures are provided standard with an ANSI 61 gray polyester powder coating.

Options:

- Special materials.
- Special finishes.
- “4-way” 22mm pushbutton holes.

**INDUSTRY
STANDARDS**

UL 50 **Types 4, 12 & 13**
NEMA **Types 4, 12 & 13**
CUL **Types 4, 12 & 13**

Austin Electrical Enclosures
Post Office Box 2320
Yadkinville, NC 27055

Phone: 336.468.2851
800.288.2851

AUSTIN SLOPING PUSHBUTTON ENCLOSURES

Catalog Number	Enclosure Size (AxBxC)	Holes	Hole Arrangement	Weight	"F"	"G"
AB-A1SPB	3 1/2x3 1/4x4 7/8	1	A-1	2	1 3/4	1 5/8
AB-A2SPB	3 1/2x5 1/2x4 7/8	2	A-2	3	1 3/4	1 5/8
AB-A3SPB	3 1/2x7 3/4x4 7/8	3	A-3	4	1 3/4	1 5/8
AB-A4SPB	3 1/2x10x4 7/8	4	A-4	5	1 3/4	1 5/8
AB-B2SPB	7 1/4x6 1/4x6 3/4	4	B-2	6	2 1/2	2
AB-B3SPB	7 1/4x8 1/2x6 3/4	6	B-3	7	2 1/2	2
AB-B4SPB	7 1/4x10 3/4x6 3/4	8	B-4	9	2 1/2	2
AB-B5SPB	7 1/4x13x6 3/4	10	B-5	10	2 1/2	2
AB-B6SPB	7 1/4x15 1/4x6 3/4	12	B-6	11	2 1/2	2
AB-B8SPB	7 1/4x19 3/4x6 3/4	16	B-8	12	2 1/2	2
AB-C3SPB	9 1/2x8 1/2x7 7/8	9	C-3	9	2 1/2	2
AB-D3SPB	11 3/4x8 1/2x9	12	D-3	11	2 1/2	2
AB-D4SPB	11 3/4x10 3/4x9	16	D-4	13	2 1/2	2
AB-D5SPB	11 3/4x13x9	20	D-5	14	2 1/2	2
AB-E5SPB	14x13x10 1/8	25	E-5	17	2 1/2	2
AB-E6SPB	14x15 1/4x10 1/8	30	E-6	19	2 1/2	2

Pushbutton
Enclosures &
Consoles



AUSTIN OILTIGHT CONSOLETS AND PEDESTALS

Austin Oiltight Consolets are Underwriters Laboratories Listed and are designed to house electrical controls and instruments. The consolet can be mounted on machines, desk tops, or Austin consolet pedestals. It can also be mounted to give a control surface incline of 30° or 60° angle. They provide a degree of protection against circulating dust, falling dirt, and dripping noncorrosive liquids.

Construction:

- Fabricated in accordance with UL specifications from code gauge steel.
- Continuously welded seams ground smooth.
- Neoprene gasket attached to cover with oil resistant adhesive.
- Cover attached by captivated screws threaded into sealed wells and continuous hinge on opposite side.



Pushbutton
Enclosures &
Consolets

Finish:

Austin Oiltight Consolets are provided standard with an ANSI 61 gray polyester powder coating.

Options:

- Special materials.
- Special finishes.

**INDUSTRY
STANDARDS**

UL 50 **Type 12 & 13**
NEMA **Type 12 & 13**
(except for mounting
provisions)
CUL **Type 12 & 13**

Austin Electrical Enclosures
Post Office Box 2320
Yadkinville, NC 27055

Phone: 336.468.2851
800.288.2851

AUSTIN OILTIGHT CONSOLETS AND PEDESTALS

Austin Pedestals and Bases allow the consolets to be floor mounted. Wiring can be installed through the base, access opening in pedestal, or directly into the consolet.

Construction:

- Box connector fitting, a neoprene gasket on column flange, and screws are provided to attach the consolet to the pedestal.
- Pedestal fabricated from 14 gauge steel.
- Base fabricated from 10 gauge steel.

Finish:

Austin pedestals and bases are provided standard with an ANSI 61 gray polyester powder coating.

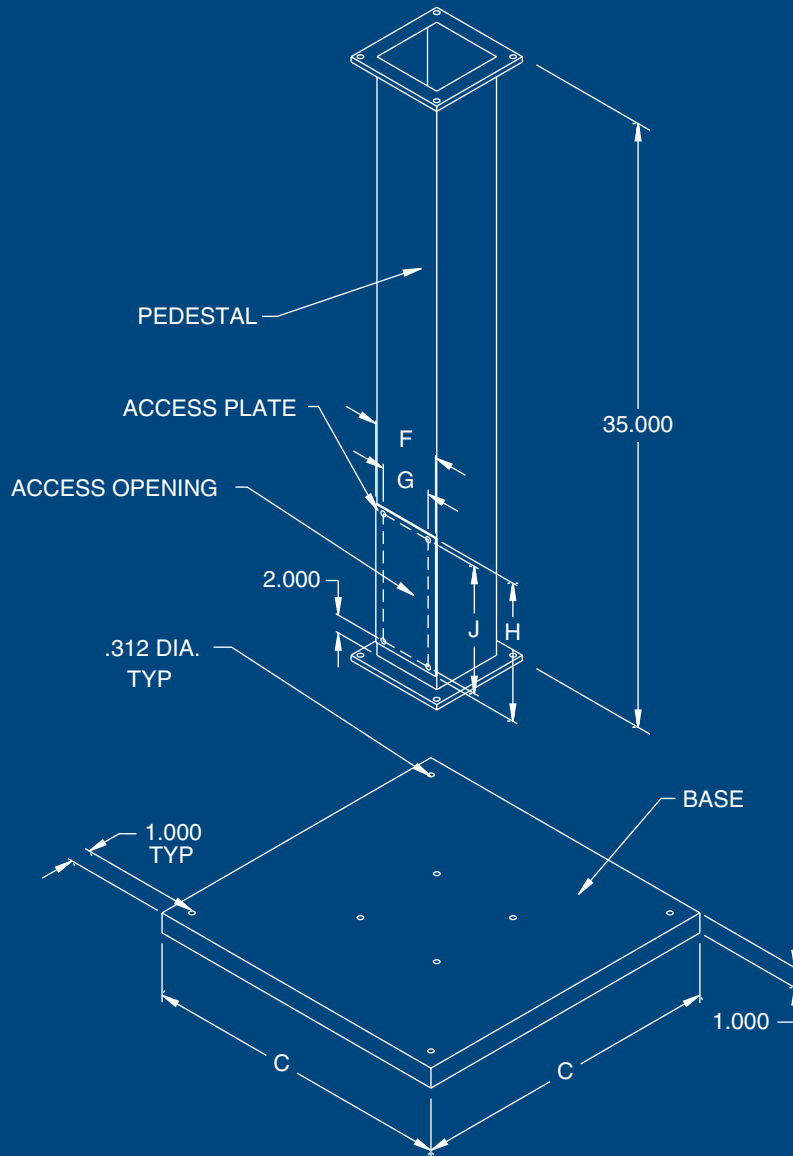
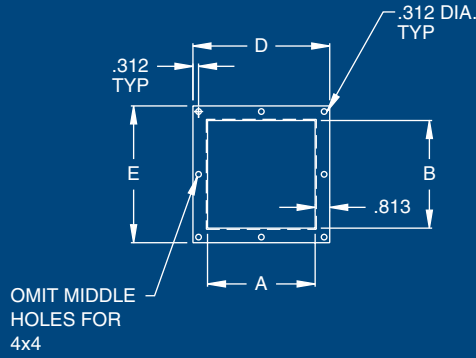
Options:

- Special materials.
- Special finishes.



Pushbutton
Enclosures &
Consolets

AUSTIN OILTIGHT CONSOLETS AND PEDESTALS



Pushbutton
Enclosures &
Consoles

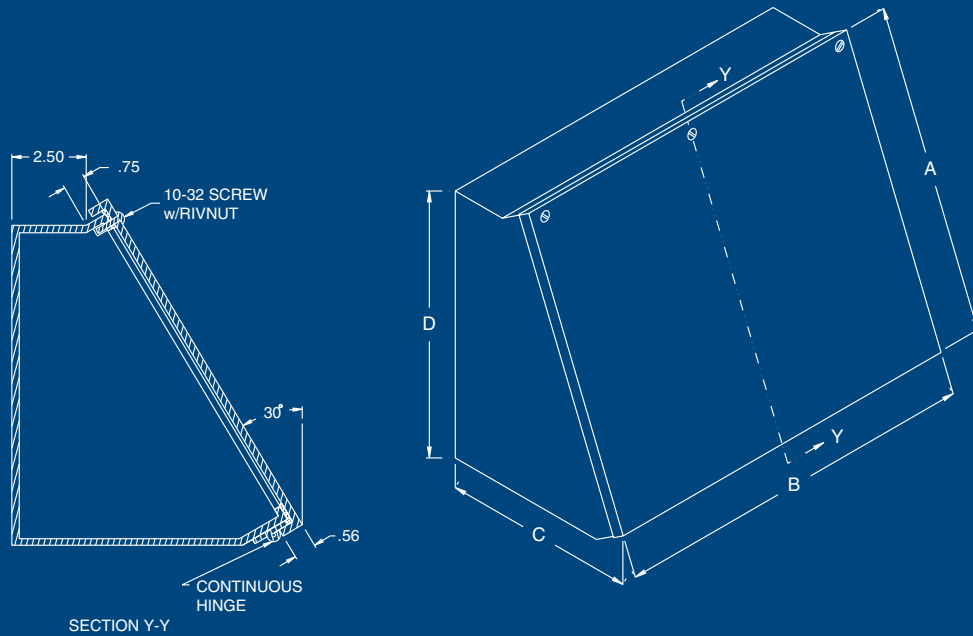
**INDUSTRY
STANDARDS**

UL 50 **Type 12 & 13**
NEMA **Type 12 & 13**
(except for mounting
provisions)
CUL **Type 12 & 13**

Austin Electrical Enclosures
Post Office Box 2320
Yadkinville, NC 27055

Phone: 336.468.2851
800.288.2851

AUSTIN OILTIGHT CONSOLETS AND PEDESTALS



Pushbutton
Enclosures &
Consoles

Oiltight Consoles

Catalog Number	Enclosure Size (AxBxC)	"D" Dimension	Weight	Catalog Number	Enclosure Size (AxBxC)	"D" Dimension	Weight
AB-88PBC	8x8x7 5/32	7 7/16	8	AB-1616PBC	16x16x11 5/32	14 3/8	22
AB-812PBC	8x12x7 5/32	7 7/16	10	AB-1620PBC	16x20x11 5/32	14 3/8	27
AB-816PBC	8x16x7 5/32	7 7/16	12	AB-1624PBC	16x24x11 5/32	14 3/8	31
AB-820PBC	8x20x7 5/32	7 7/16	14	AB-1630PBC	16x30x11 5/32	14 3/8	34
				AB-1636PBC	16x36x11 5/32	14 3/8	45
AB-1212PBC	12x12x9 5/32	10 7/8	15				
AB-1216PBC	12x16x9 5/32	10 7/8	18	AB-2020PBC	20x20x13 5/32	17 7/8	34
AB-1220PBC	12x20x9 5/32	10 7/8	22	AB-2024PBC	20x24x13 5/32	17 7/8	35
AB-1224PBC	12x24x9 5/32	10 7/8	26	AB-2030PBC	20x30x13 5/32	17 7/8	51

Pedestals and Bases

Catalog Number	Description (AxB)	"D"	"E"	"F"	"G"	"H"	"J"	Weight	Catalog Number	Description (Cx C)	Weight
AB-44PS	4x4 Pedestal	5.63	5.63	4.00	3.00	8.00	6.75	18	AB-1818B	18x18 Base	20
AB-66PS	6x6 Pedestal	7.63	7.63	6.00	4.75	8.00	6.75	24	AB-2424B	24x24 Base	47