

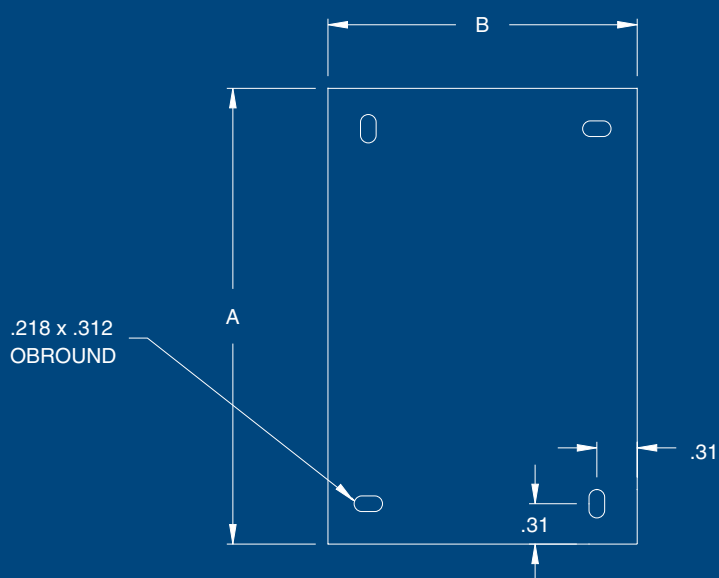
# JIC PANELS STEEL, ALUMINUM, STAINLESS

JIC steel panels are 14 gauge painted white. Stainless steel panels are 14 gauge Type 304. Aluminum panels are 5052-H32 aluminum alloy. Mounting hardware is furnished with all enclosures that will accept these panels.



Catalog Number (Steel)	Panel Size (AxB)	Weight
AB-64JP	4 7/8 x 2 7/8	0.3
AB-66JP	4 7/8 x 4 7/8	0.5
AB-86JP	6 7/8 x 4 7/8	1
AB-88JP	6 7/8 x 6 7/8	1
AB-108JP	8 7/8 x 6 7/8	1.3
AB-1010JP	8 7/8 x 8 7/8	2
AB-126JP	10 7/8 x 4 7/8	1.3
AB-1210JP	10 7/8 x 8 7/8	2
AB-1212JP	10 7/8 x 10 7/8	3
AB-1412JP	12 7/8 x 10 7/8	3
AB-1614JP	14 7/8 x 12 7/8	5

Accessories



# JIC PANELS STEEL, ALUMINUM, STAINLESS

Catalog Number (Aluminum)	Panel Size (AxB)	Weight
AB-64JPA	4 7/8 x 2 7/8	0.5
AB-66JPA	4 7/8 x 4 7/8	0.5
AB-86JPA	6 7/8 x 4 7/8	0.5
AB-108JPA	8 7/8 x 6 7/8	1
AB-1210JPA	10 7/8 x 8 7/8	1
AB-1412JPA	12 7/8 x 10 7/8	1
AB-1614JPA	14 7/8 x 12 7/8	2



Catalog Number (Stainless Steel)	Panel Size (AxB)	Weight
AB-66JPX	4 7/8 x 4 7/8	0.5
AB-86JPX	6 7/8 x 4 7/8	1
AB-88JPX	6 7/8 x 6 7/8	1
AB-108JPX	8 7/8 x 6 7/8	1.5
AB-1210JPX	10 7/8 x 8 7/8	2
AB-1212JPX	10 7/8 x 10 7/8	3
AB-1412JPX	12 7/8 x 10 7/8	3
AB-1614JPX	14 7/8 x 12 7/8	5



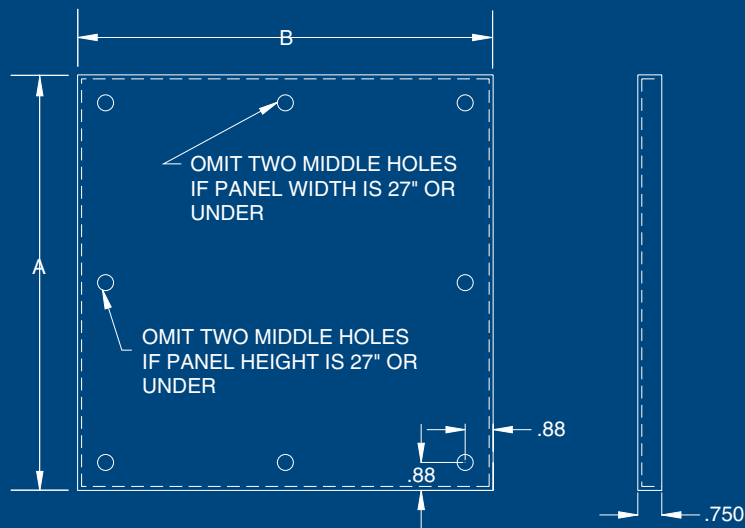
Accessories

# NEMA STEEL PANELS FOR SINGLE AND DOUBLE DOOR

NEMA Panels are code gauge steel and painted white. All panels have flanges on all four sides. Stainless steel panels are Type 304 or optional 316 stainless steel. Panel mounting hardware is furnished with all enclosures that will accept these panels.



Accessories



# NEMA STEEL PANELS FOR SINGLE AND DOUBLE DOOR

## Steel Panels for Single Door NEMA 4 & 12 Enclosures and Double Door Wall-Mt N-12 Enclosures

Catalog Number	Stainless Steel Catalog Number	Panel Size (AxB)	Weight	Catalog Number	Stainless Steel Catalog Number	Panel Size (AxB)	Weight
AB-1612TP	AB-1612TPX	13x9	4	AB-3630TP	AB-3630TPX	33x27	30
AB-1616TP	AB-1616TPX	13x13	6	AB-3636TP	AB-3636TPX	33x33	37
AB-2012TP	AB-2012TPX	17x9	5	AB-4224TP	AB-4224TPX	39x21	28
AB-2016TP	AB-2016TPX	17x13	7	AB-4230TP	AB-4230TPX	39x27	35
AB-2020TP	AB-2020TPX	17x17	9	AB-4236TP	AB-4236TPX	39x33	43
AB-2412TP	AB-2412TPX	21x9	7	AB-4824TP	AB-4824TPX	45x21	32
AB-2416TP	AB-2416TPX	21x13	9	AB-4830TP	AB-4830TPX	45x27	40
AB-2418TP	AB-2418TPX	23x15	8	AB-4836TP	AB-4836TPX	45x33	49
AB-2420TP	AB-2420TPX	21x17	13	AB-6030TP	AB-6030TPX	57x27	43
AB-2424TP	AB-2424TPX	21x21	15	AB-6036TP	AB-6036TPX	57x33	61
AB-3016TP	AB-3016TPX	27x13	12	AB-6042TP	AB-6042TPX	57x39	71
AB-3020TP	AB-3020TPX	27x17	16	AB-7224TP	AB-7224TPX	69x21	49
AB-3024TP	AB-3024TPX	27x21	19	AB-7230TP	AB-7230TPX	69x27	62
AB-3030TP	AB-3030TPX	27x27	24	AB-4848TP	AB-4848TPX	45x45	80
AB-3624TP	AB-3624TPX	33x21	24				

## Steel Panels for Double Door NEMA 12 Enclosures with Legs

Catalog Number	Panel Size (AxB)	Weight	Catalog Number	Panel Size (AxB)	Weight
AB-5442DP	50x38	62	AB-7260DP	68x56	158
AB-6048DP	56x44	103	AB-7272DP	68x68	191
AB-6060DP	56x56	130			

## Steel Panels for Freestanding NEMA 12 Enclosures

Catalog Number	Panel Size (AxB)	Weight	Catalog Number	Panel Size (AxB)	Weight
AB-7224FTP	60x20	65	AB-7248FTP	60x44	131
AB-7230FTP	60x26	74	AB-7260FTP	60x56	159
AB-7236FTP	60x32	98	AB-7272FTP	60x68	187
AB-9036FTP	78x32	108	AB-9072FTP	78x68	238

## Steel Panels for Double Door NEMA 4 Enclosures

Catalog Number	Panel Size (AxB)	Weight	Catalog Number	Panel Size (AxB)	Weight
AB-6248FP	56x44	103	AB-7460FP	68x56	158
AB-6260FP	56x56	130	AB-7472FP	68x68	191

# JIC SWING-OUT PANEL KITS

Designed to allow mounting of switches, gauges, pilot lights, and other components near the front of enclosure for easy access. Each kit contains heavy-gauge brackets and hinges which can be installed by drilling holes in the sides of the enclosure and bolting the brackets in place. Mounting hardware and instructions are provided. Swing-out panels can be mounted on either side. Sealing washers are furnished to ensure that the enclosures will meet the original JIC standards after they are installed.



**JIC box Swing-Out Panel Kit can be mounted in the following enclosures:**

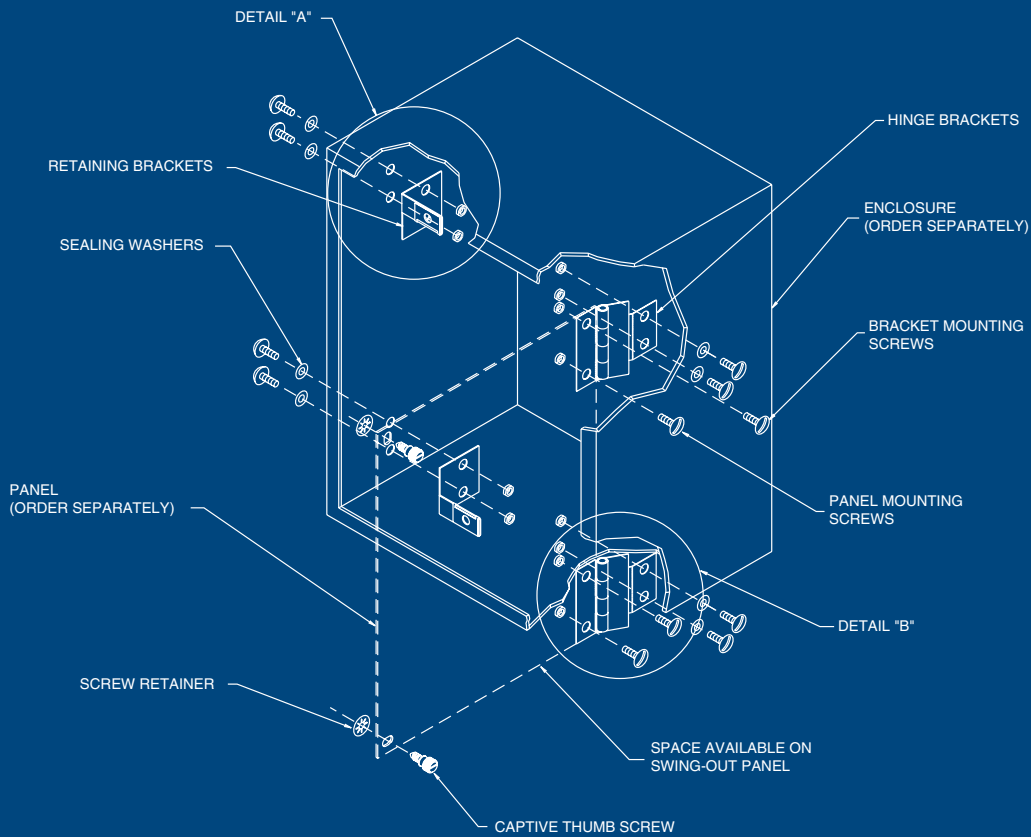
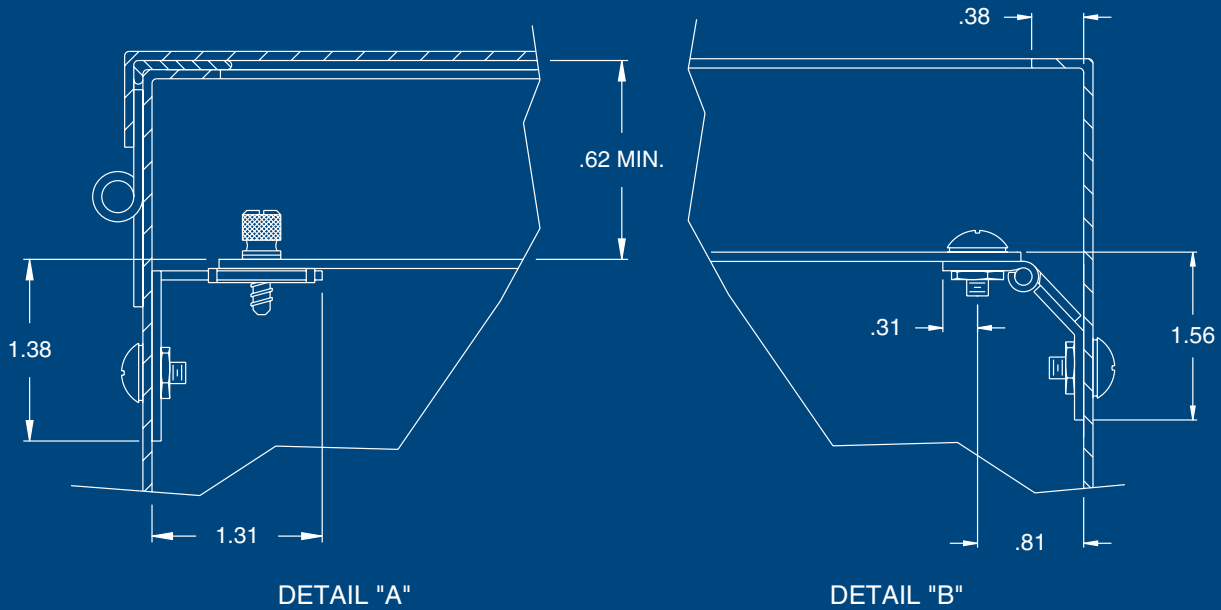
- All JIC boxes where A x B is 8 x 6 or larger.

Accessories

Catalog Number	Description
AB-JSOPK	JIC Swing-Out Panel Kit

\*Panels must be ordered separately.  
\*The maximum load on JIC Panel Kit cannot exceed 25 pounds. The load includes the weight of the panel plus the weight of the added components, with the weight of the components spread evenly over the panel.

# JIC SWING-OUT PANEL KITS



Accessories

# NEMA SWING-OUT PANEL KITS

Designed to allow mounting of switches, gauges, pilot lights, and other components near the front of enclosure for easy access. Each kit contains heavy-gauge brackets and hinges which can be installed by drilling holes in the sides of the enclosure and bolting the brackets in place. Mounting hardware and instructions are provided. Swing-out panels can be mounted on either side. Sealing washers are furnished to ensure that the enclosures will meet the original NEMA standards after they are installed.



## NEMA Swing-Out Panel Kit can be mounted in the following enclosures:

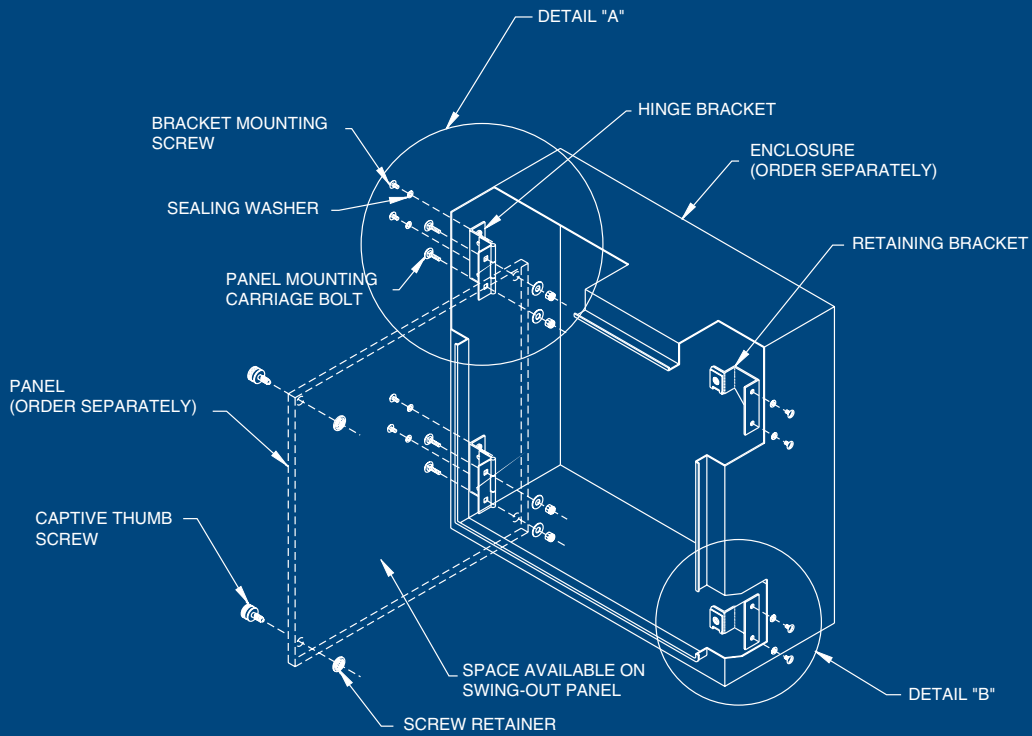
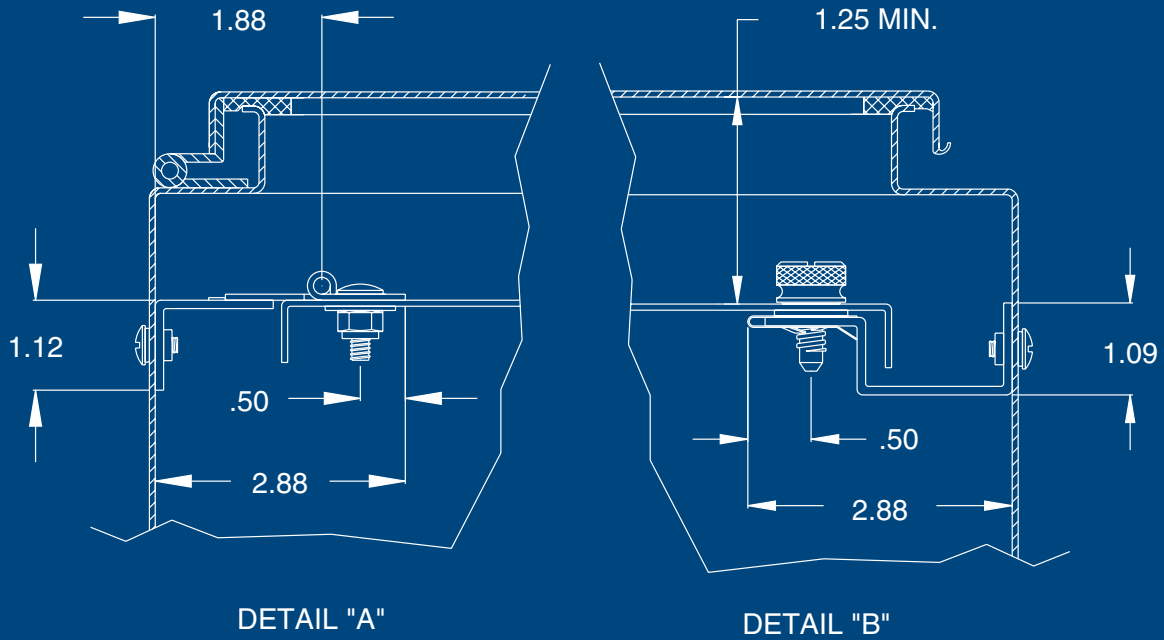
- All single door Type 4, 12, and 13 enclosures where A x B is 12 x 12 or larger.
- All “WL” Type 3R enclosures where A x B is 16 x 16 or larger.
- All “LM” Type 1 enclosures where A x B is 16 x 12 or larger.

Accessories

Catalog Number	Description
AB-NSOPK	NEMA Swing-Out Panel Kit

\*Panels must be ordered separately.  
\*The maximum load on NEMA Panel Kit cannot exceed 100 pounds. The load includes the weight of the panel plus the weight of the added components, with the weight of the components spread evenly over the panel.

# NEMA SWING-OUT PANEL KITS



Accessories



# JIC TERMINAL STRAP KIT ASSEMBLY

Provides a strong, versatile, and easily installed means for mounting terminal blocks in JIC boxes. These kits can be installed in all JIC boxes.

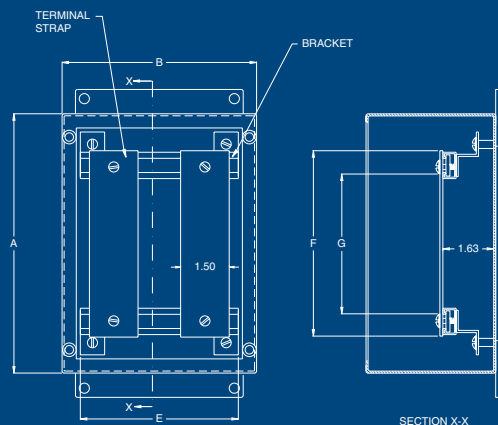


## Bracket Assembly:

- Each bracket assembly consists of two brackets which mount on panel stand-offs in the box. Finish is white.

## Terminal Strap:

- A 12 gauge flat strap that mounts on top of brackets. They can be positioned anywhere along the brackets and are held in place with spring locking nuts. Finish is white.



Accessories

## Terminal Kit Assembly for JIC Boxes

### Bracket Assemblies

Bracket Assembly Catalog Number	Enclosure Dimension Parallel to Brackets	"E" Dimension	Terminal Strap Catalog Number	Enclosure Dimension Parallel to Straps	"F" Dimension	"G" Dimension (Useable Space)
AB-6JBKTA	6	5	AB-8JTST	8	5.75	4.438
AB-8JBKTA	8	7	AB-10JTST	10	7.75	6.438
AB-10JBKTA	10	9	AB-12JTST	12	9.75	8.438
AB-12JBKTA	12	11	AB-14JTST	14	11.75	10.438
AB-14JBKTA	14	13	AB-16JTST	16	13.75	12.438

# NEMA TERMINAL STRAP KIT ASSEMBLY

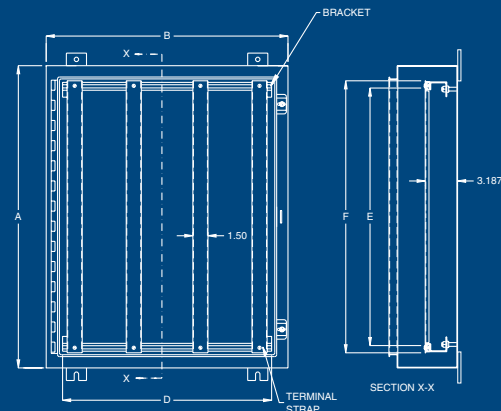
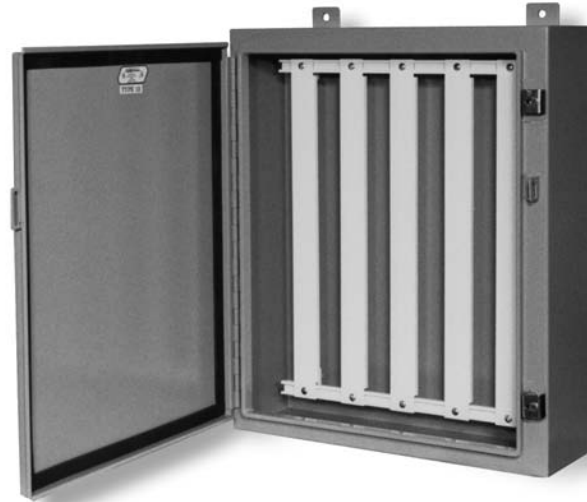
Provides a strong, versatile, and easily installed means for mounting terminal block supports. These kits fit Type 4, 12, and 13 enclosures as well as Large Type 1 enclosures.

## Bracket Assembly:

- Each bracket assembly consists of two or three brackets which mount on panel stand-offs in the box. Finish is white.

## Terminal Strap:

- A 12 gauge flat channel strap that mounts on top of brackets. They can be positioned anywhere along the brackets and are held in place with spring locking nuts. Finish is white.



Accessories

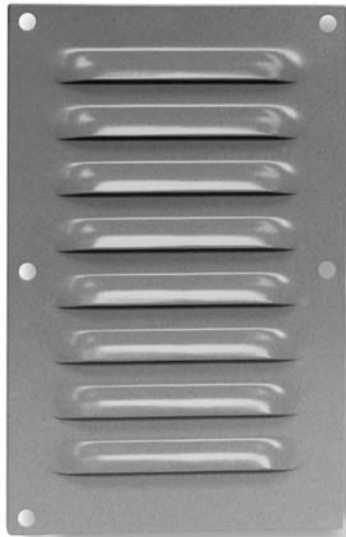
## Terminal Kit Assembly for NEMA Enclosures

### Bracket Assemblies

Bracket Assembly Catalog Number	Number of Brackets	Enclosure Dimension Parallel to Brackets	"D" Dimension	Terminal Strap Catalog Number	Enclosure Dimension Parallel to Straps	"F" Dimension	"E" Dimension (Useable Space)
AB-12NBKTA2	2	12	8.75	AB-16NTS	16	13	11.5
AB-16NBKTA2	2	16	12.75	AB-20NTS	20	17	15.5
AB-20NBKTA2	2	20	16.75	AB-24NTS	24	21	19.5
AB-24NBKTA2	2	24	20.75	AB-30NTS	30	27	25.5
AB-24NBKTA3	3	24	20.75	AB-36NTS	36	33	31.5
AB-30NBKTA2	2	30	26.75	AB-42NTS	42	39	37.5
AB-30NBKTA3	3	30	26.75	AB-48NTS	48	45	43.5
AB-36NBKTA2	2	36	32.75	AB-60NTS	60	57	55.5
AB-36NBKTA3	3	36	32.75				

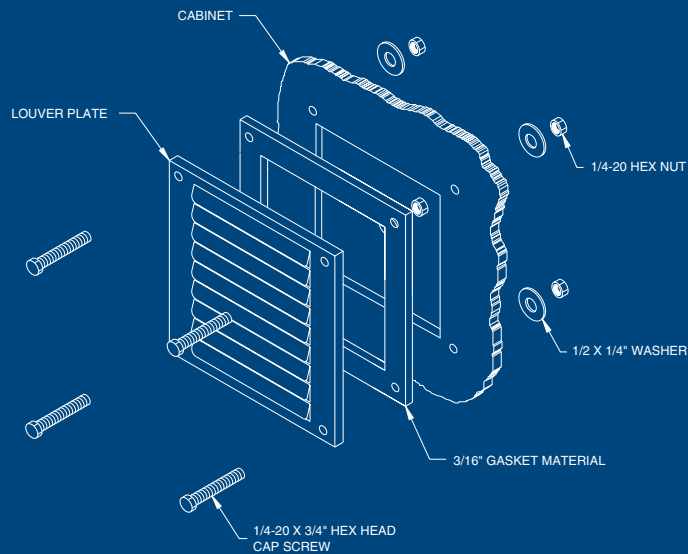
# AUSTIN LOUVER PLATE KITS

Austin Louver Plate Kits are designed to provide ventilation for areas where excessive moisture or internal heat is present. They are easily installed by making a cutout of the proper size and attaching the louver plate to the enclosure. All hardware is furnished for mounting.



Catalog Number	Louver Length	Number of Louvers	Size of Plate	Weight
AB-44LK	4"	4	5 5/8" x 5 1/2"	1
AB-58LK	5"	8	7 1/4" x 10 3/4"	1

Accessories



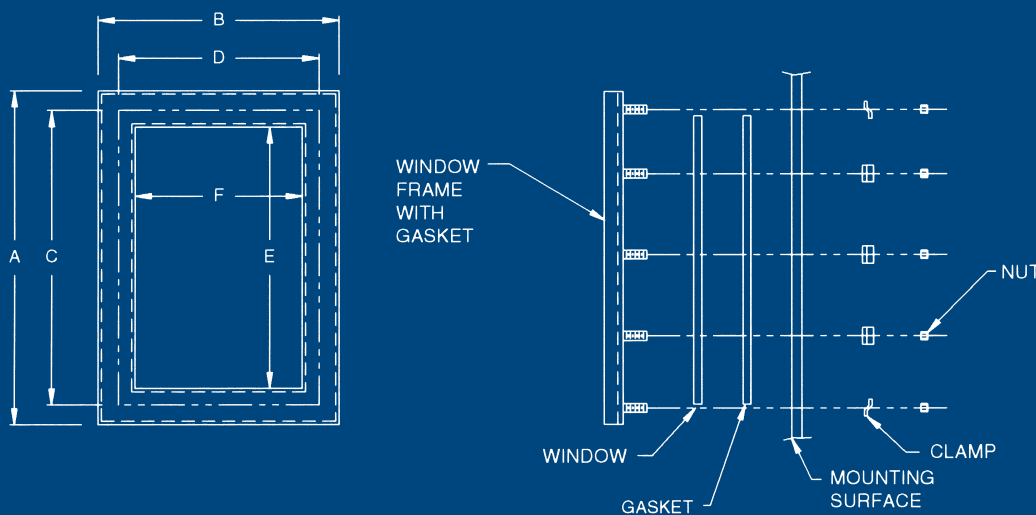
Austin Electrical Enclosures  
 Post Office Box 2320  
 Yadkinville, NC 27055

Phone: 336.468.2851  
 800.288.2851

# AUSTIN WINDOW KITS

Austin Window Kits are easily installed by making a cutout in the enclosure and attaching the window and frame in place. Frames are fabricated from 14 gauge steel with an ANSI 61 gray polyester powder coating or 14 gauge Type 304 stainless steel. The window is .25" clear acrylic plastic for both kits. A neoprene gasket around the frame preserves the watertight rating. All mounting hardware and installation instructions are furnished.

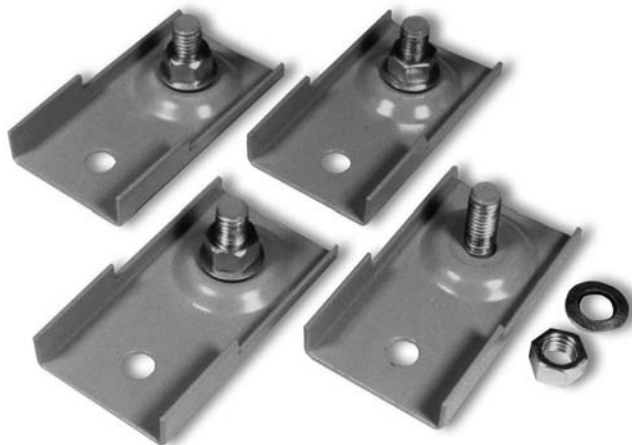
Catalog Number	S.S. Catalog Number	Window Size ExF	Frame Size AxB	Cut-Out Size CxD	Weight
AB-53WK	AB-53WKX	5x3	7.5x5.5	6.69x4.69	2
AB-95WK	AB-95WKX	9x5.5	11.5x8	10.69x7.19	3
AB-133WK	AB-133WKX	13x3	15.5x5.5	14.69x4.69	4
AB-138WK	AB-138WKX	13x8	15.5x10.5	14.69x9.69	4
AB-175WK	AB-175WKX	17x5.5	19.5x8	18.69x7.19	6
AB-1711WK	AB-1711WKX	17x11	19.5x13.5	18.69x12.69	7
AB-2315WK	AB-2315WKX	23x15	25.5x17.5	24.69x16.69	9
AB-2919WK	AB-2919WKX	29x19	31.5x21.5	30.69x20.69	12
AB-3523WK	AB-3523WKX	35x23	37.5x25.5	36.69x24.69	15



Accessories

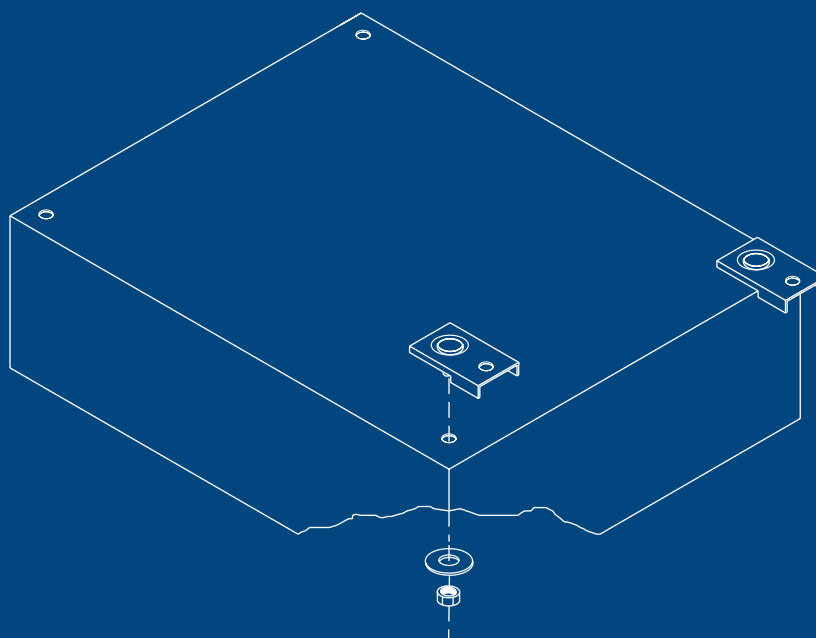
# AUSTIN MOUNTING FOOT KITS

Austin Mounting Foot Kits contain four 14 gauge steel with an ANSI 61 gray polyester powder coating, galvanized, or Type 304 stainless steel external mounting feet and fasteners. Sealing washers are provided with each kit to maintain Type 4, 4X or Type 12 rating after field installation.



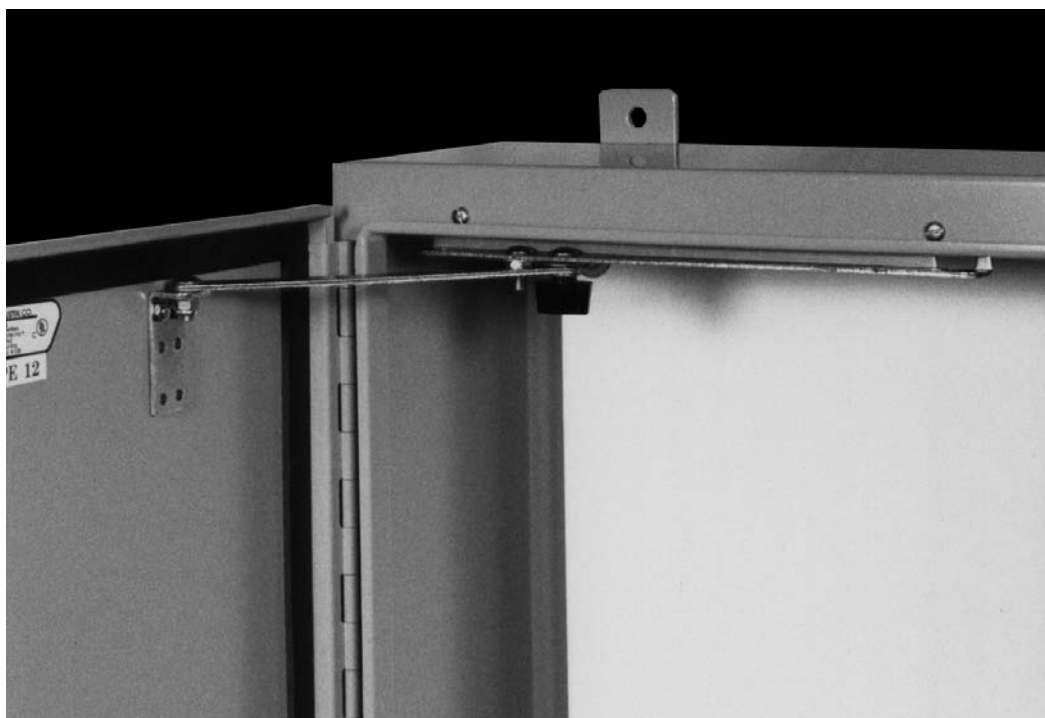
Catalog Number	Description
AB-MTGFT-GAL	Galvanized Mounting Foot Kit
AB-MTGFT-GRY	Steel Mounting Foot Kit - Painted Gray
AB-MTGFT-SS	Stainless Steel Mounting Foot Kit

Accessories



# AUSTIN DOOR STOP KITS

Door Stop Kits are designed for securing the door of the enclosure in the open position. Kits can be mounted at the top or bottom of the door opening. Two holes must be drilled in the enclosure and in the door. The angle of the door is adjusted by a wingnut and the stop arm slides out of the way when the door is closed. Enclosures must have a "B" dimension of 16" or more and the door must open horizontally.



Accessories

Catalog Number	Description
AB-DSTOPK	Plated Steel Door Stop Kit
AB-DSTOPKX	Stainless Steel Door Stop Kit

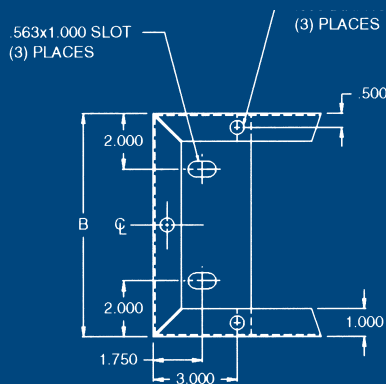
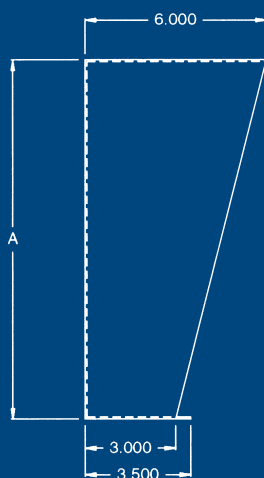
# AUSTIN FLOOR STAND KITS

Austin Floor Stand Kits can be installed easily on Austin NEMA 4, 4X, and 12 single and double door enclosures. To install Floor Stand Kits, drill holes in bottom of enclosure and bolt on. Each kit includes two stands and is fabricated from 10 gauge steel with an ANSI 61 gray polyester powder coating or 12 gauge Type 304 stainless steel.



Catalog Number	Stainless Steel Catalog Number	Floor Stand Height	Depth of Enclosure "C" Dimension	Weight
AB-6SK8	AB-6SK8SS	6	8	16
AB-6SK10	AB-6SK10SS	6	10	17
AB-6SK12	AB-6SK12SS	6	12	18
AB-12SK8	AB-12SK8SS	12	8	23
AB-12SK10	AB-12SK10SS	12	10	26
AB-12SK12	AB-12SK12SS	12	12	32
AB-12SK16	AB-12SK16SS	12	16	35
AB-12SK20	AB-12SK20SS	12	20	42
AB-18SK8	AB-18SK8SS	18	8	32
AB-18SK10	AB-18SK10SS	18	10	36
AB-18SK12	AB-18SK12SS	18	12	41
AB-18SK16	AB-18SK16SS	18	16	47
AB-24SK8	AB-24SK8SS	24	8	40
AB-24SK10	AB-24SK10SS	24	10	45
AB-24SK12	AB-24SK12SS	24	12	50
AB-24SK16	AB-24SK16SS	24	16	58

Accessories



Austin Electrical Enclosures  
Post Office Box 2320  
Yadkinville, NC 27055

Phone: 336.468.2851  
800.288.2851

# AUSTIN OILTIGHT HOLE SEALS

Knockouts, pushbutton holes, and conduit openings can be sealed against dust, dirt, oil, and water with Austin Hole Seals. Hole Seals are fabricated from 14 gauge steel with an ANSI 61 gray polyester powder coating or from 14 gauge Type 304 stainless steel. All Hole Seals are constructed with a neoprene oil resistant gasket, stainless steel stud and stainless steel wing nut.



Catalog Number	Stainless Steel Catalog Number	Description	Hole Seal Diameter
050HS	050HSSS	1/2" - conduit	1.375
075HS	075HSSS	3/4" conduit	1.625
100HS	100HSSS	1" conduit	1.875
125HS	125HSSS	1 1/4" conduit	2.250
150HS	150HSSS	1 1/2" conduit	2.500
200HS	200HSSS	2" conduit	3.000
250HS	250HSSS	2 1/2" conduit	3.500
300HS	300HSSS	3" conduit	4.000
350HS	350HSSS	3 1/2" conduit	4.625
400HS	400HSSS	4" conduit	5.125
MHS	MHSSS	22.5mm pushbutton holes	1.250
PHS	PHSSS	30.5mm pushbutton holes	1.750



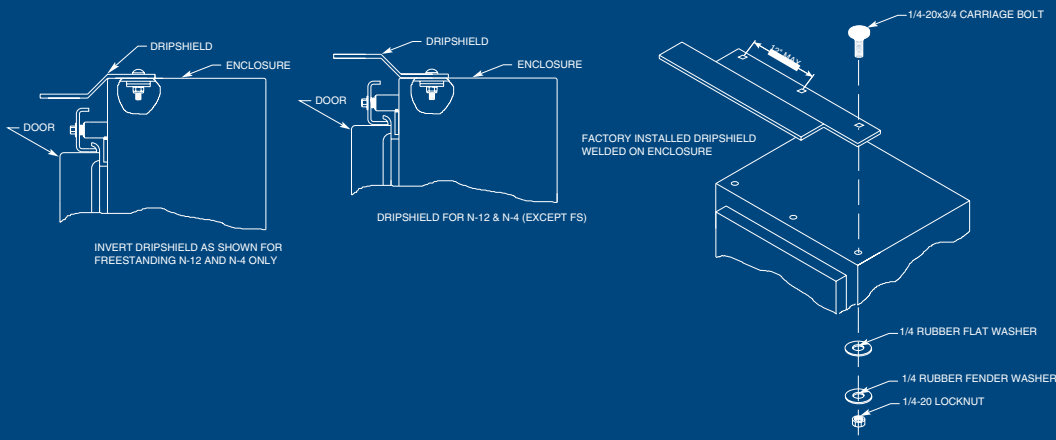
# AUSTIN DRIPSHIELD KITS

Austin Dripshield Kits protect from dripping water and settling dust. Easily installed to enclosure with carriage bolts and sealing washers (hardware is furnished). Dripshield kits are fabricated from 12 gauge steel and provided standard with an ANSI 61 gray polyester powder coating or fabricated from Type 304 12 gauge stainless steel. (Stainless hardware is furnished).



Catalog Number	S.S. Catalog Number	Enclosure Width "B" Dimension	Weight
AB-12DK	AB-12DKX	12	1
AB-16DK	AB-16DKX	16	1
AB-20DK	AB-20DKX	20	2
AB-24DK	AB-24DKX	24	2
AB-30DK	AB-30DKX	30	3
AB-36DK	AB-36DKX	36	3
AB-42DK	AB-42DKX	42	3
AB-48DK	AB-48DKX	48	3
AB-60DK	AB-60DKX	60	5
AB-72DK	AB-72DKX	72	6

Accessories



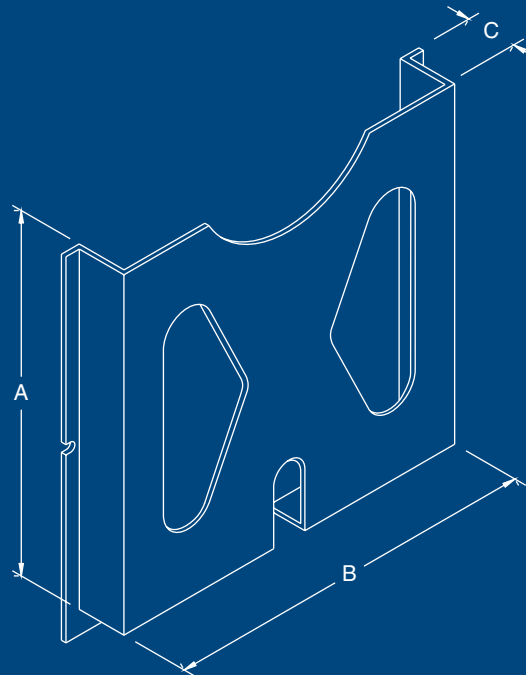
Austin Electrical Enclosures  
 Post Office Box 2320  
 Yadkinville, NC 27055

Phone: 336.468.2851  
 800.288.2851

# AUSTIN PRINT POCKETS

Austin print pockets provide a convenient place to store charts, wiring diagrams, and other documentation in the enclosure. Self-adhesive backs make for easy installation on the inside of enclosure door. Thermoplastic pockets are provided standard light gray.

Catalog Number	Description	Inside Dimensions AxBxC
AB-SMPRPKT	Small Print Pocket	5 7/8 x 5 7/8 x 1
AB-LGPRPKT	Large Print Pocket	9 1/8 x 8 5/8 x 1 3/16



Accessories